



AWI MANUFACTURING

Stainless Steel Floor Drains



- ▶ Floor Drains
- ▶ Hub Drains
- ▶ Trench Drains
- ▶ Floor Sinks
- ▶ Cleanouts
- ▶ P-Traps
- ▶ Custom Drains

Quality Products Since 1970

USDA Certified

www.awimfg.com

Complete Stainless Steel Floor Drains

Stainless steel floor drains from AWI Manufacturing are created with a sanitary design for Food Equipment and Dairy Industry Applications. Our complete drainage systems are built to last, eliminate build-up and hold up to heavy equipment traffic. Constructed from 1/2" thick stainless steel, the top flange can be square or round depending on customer preference. Standard designs are available or we can custom design and manufacture any stainless steel drain to your specifications.

Drain top constructed of 1/2" x 12" x 12" S.S. plate
 12 ga. x 10 3/4" dia. x 6" deep body
 4" long outlet extension

Optional bar grate cover

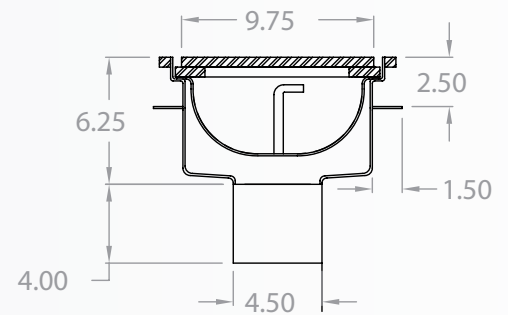
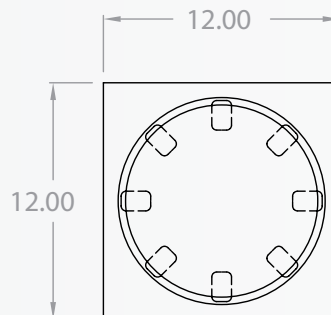


Perforated S.S. basket with lift handle



1/2" thick S.S. cover plate

- ▶ 12 Ga single piece, seamless construction
- ▶ T-304 or T316 stainless construction
- ▶ Withstands heavy equipment traffic
- ▶ Sch. 40 or Sch. 10 outlets available
- ▶ Other outlet sizes available
- ▶ Glass bead finish
- ▶ Outer cement ring
- ▶ USDA Certified



Floor Drain Bodies

- ▶ Sch. 40 or Sch. 10 outlet outlets available
- ▶ Other bodies available
 - ▶ Side outlet
 - ▶ Shallow body (*low profile*)
 - ▶ Cleanout attached
 - ▶ Side coupling for trap primer
 - ▶ Membrane ring
 - ▶ Tamper proof option (*available upon request*)



Standard Body



Round Top



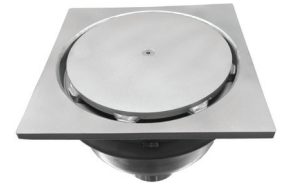
Trap Primer



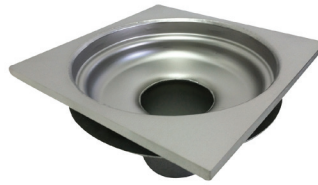
Membrane Ring



Deep Profile



Locking Cover



Low Profile



Cone Bottom



Side Outlet

P-Trap & Cleanout Assembly

Stainless steel floor drains and P-Traps by AWI Manufacturing are designed to flush waste away while preventing backflow of noxious fumes and gases from the sewer line. Drains can be equipped with a trap and cleanout, or a trap by itself. The trap and cleanout allows for cleaning down line.

- ▶ Sch. 10 or sch. 40 elbows and pipe
- ▶ 2" tube cleanout from drain to discharge
- ▶ 1 1/2" internal plug in drain to prevent backflow
- ▶ 12 ga. cement ring
- ▶ Standard 4" size outlet
- ▶ Other sizes available (3", 6", 8", 10")

P-Trap

- ▶ Available in 1" through 12"
- ▶ Sch. 10 or Sch. 40
- ▶ T-304 or T-316



Wyes and 45° Laterals

- ▶ Available in 1" through 8"
- ▶ Sch. 10 or Sch. 40
- ▶ T-304 or T-316

Cover Plate Options

- ▶ O-ring sealed cover plate (odor prevention)
- ▶ Tamper proof option (available upon request)
- ▶ Slip Resistant option on all covers



Standard cover plate



Side Notch



Center hole



Slotted



Round bar grate

Medium Duty Floor Drain

- ▶ 8" diameter
- ▶ 12 Ga. single piece
- ▶ Seamless construction on body
- ▶ T-304 stainless construction
- ▶ Outlet sizes available (2", 3", 4")
- ▶ Outer cement ring
- ▶ Glass bead finish
- ▶ Perforated basket



Hub Drain

- ▶ T-304 or T-316 construction



Baskets



Standard



Slotted sides



Perforated sides



No-Hub Cleanouts

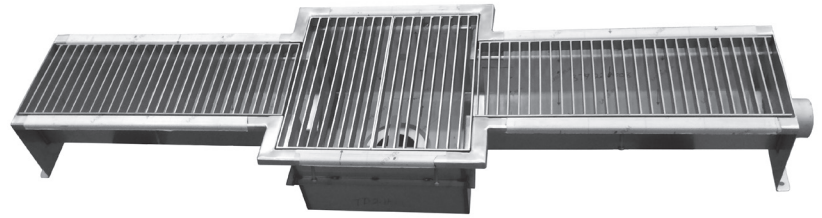
- ▶ Standard 3", 4" and 6"
- ▶ T-304 and T-316 construction
- ▶ PVC (Std.) or brass plug
- ▶ O-Ring sealed surface

Trench Drains, Slot Drains & Bar Grates

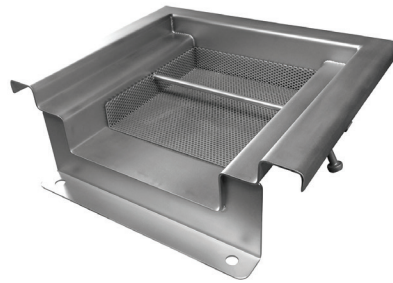
- ▶ 12 ga. T-304 construction
- ▶ Outlet size as specified
- ▶ Cement anchors
- ▶ 1/8" per foot slope
- ▶ Cover options:
 - ▶ Solid or slotted 1/2" cover plate
 - ▶ Chemgrate or stainless steel bar grating
 - ▶ Perforated 10 ga. or 12 ga. cover for lighter duty applications



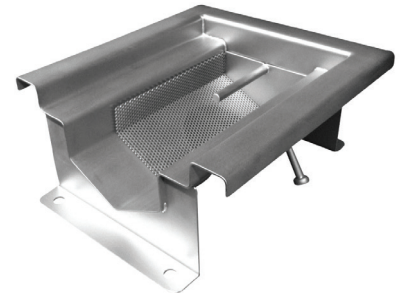
Trench Drains



Bar Grate



Flat Bottom



V-Bottom

AWI Custom Trench Drains & Slot Drains

(check applicable)

Trench Length:

___ (Feet)

Trough Width:

___ 6" (Std.) ___ 9" (Std.) ___ Other

Trough Profile:

___ V-Btm ___ Flat-Btm

Material Thickness:

___ 12 ga (Std.) ___ 10ga

Material Type:

___ T-304 (Std.) ___ T-316

Slope/Ft:

___ 1/8" (Std.) ___ 1/4"

Outlet Size:

___ 3" ___ 4" (Std.) ___ 6" ___ Other

Outlet Schedule:

___ Sch.10 ___ Sch.40

Outlet Location:

___ Center ___ End

Outlet Strainer:

___ Yes ___ No

Sump Basin:

___ No (Outlet only) ___ Yes (See factory for options)

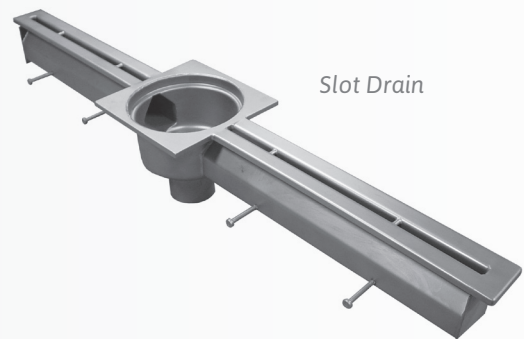
Cover Options (Forklift Rated):

___ Bar Grate ___ Solid Plate (w/perimeter drainage)

Cover Options (Non-Forklift Rated):

___ 10ga Formed Cover ___ Chem Grate

*Trench drains may be sent in multiple sections depending on overall length



Slot Drain

Floor Sinks

- ▶ 12 ga. T-304 or T-316 construction
- ▶ Outlet size as specified
- ▶ Standard widths are 20" or 24"
 - ▶ Any width available upon request
- ▶ Perforated basket or outlet strainer as required
- ▶ Bar grating or 10 ga. formed channel covers
- ▶ Cement anchors



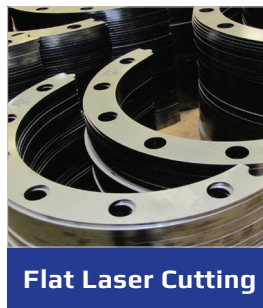
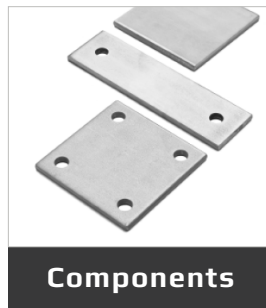
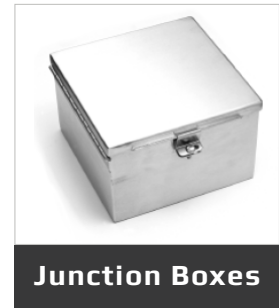
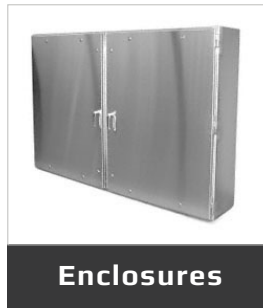
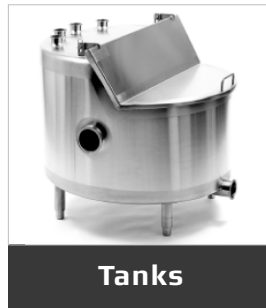
13"W x 13"L x 4"D



24"W x 36"L x 16"D

Additional AWI Products

Download our complete catalog at www.awimfg.com



AWI MANUFACTURING | phone 320.485.2471 | fax 320.485.2474

Shipping 3902 230th Street, Winsted, MN 55395 USA | Mailing P.O. Box 909, Winsted, MN 55395 USA