

STAINLESS STEEL
FLOOR DRAINS



TABLE OF CONTENTS

Floor Drains.....	3
Trench Drains.....	9
Slot Drains.....	14
Cleanouts.....	15
Floor Sinks.....	15
P-Traps.....	18
Laterals.....	18
Hub Drains.....	18

STAINLESS STEEL

Floor Drains

Our stainless steel floor drains have been the standard in the food and dairy industry for over 40 years. Our proven track record and commitment to quality has allowed us to stay a preferred drain choice for food processing, dairy, beverage, meat and poultry industries. Contact us and let us help with your next drain project.

Quality & Construction

- › USDA Approved
- › Rated for heavy equipment use – 10,000# per ASME 112.6.3
- › Sanitary and Corrosive Resistant
- › 12 Ga. seamless body design
- › Heavy Duty 1/2" Top Plate Standard
- › ISO 9001:2015 Certified



Engineering & Specifications

Some of the largest brands, contractors, design builds, engineering firms, and mechanical contractors have spec'd our stainless drains on their projects. We take great pride in knowing they are calling out our products by name. If you need drawings, certs, spec sheets or anything else for your next design or project please contact us and let us help.

- › In House Engineering
- › Submittal and Approval Drawings
- › Industry experts in drain system engineering for the food industry

Why Trust Your Stainless Drain Project to AWI?

Our reputation as an industry leader matters to us! We strive to offer high quality drain products at competitive prices. Our dedicated project managers are here to ensure you receive great customer service and attention to detail.

- › Over 40 Years in the stainless drain industry
- › Large in-stock quantities on standard products
- › Projects from one drain to entire plant builds
- › Made in the USA



Square Top STANDARD

Our Square Top Drain has been the trusted standard in the Food and Dairy Industry for over 40 years!

- › Body Depth – 6”
- › Top Plate Size – 12” X 12” Square
- › Outlet Size – 2” | 3” | 4” | 6” | 8”
- › Outlet Type – Sch 10 or Sch 40



Round Top

The Round Top Drain offers the same features as our standard square drain but in a round top plate. Works great for many applications.

- › Body Depth – 6”
- › Top Plate Size – 12” OD
- › Outlet Size – 2” | 3” | 4” | 6” | 8”
- › Outlet Type – Sch 10 or Sch 40



Deep Profile

This style drain is used in areas that will see high volumes and often located directly under discharge from equipment.

- › Body Depth – 10”
- › Top Plate Size – 12” X 12” Square or 12” OD
- › Outlet Size – 2” | 3” | 4” | 6” | 8”
- › Outlet Type – Sch 10 or Sch 40



Low Profile

Used in situations where depths are limited and shallow outlet is required.

- › Body Depth – 2.5”
- › Top Plate Size – 12” X 12” Square or 12” OD
- › Outlet Size – 2” | 3” | 4” | 6” | 8”
- › Outlet Type – Sch 10 or Sch 40



Cone Bottom

Used in situations where more pitch to the outlet is required than our standard drain.

- › Body Depth – 6”
- › Top Plate Size – 12” X 12” Square or 12” OD
- › Outlet Size – 4” | 6” | 8”
- › Outlet Type – Sch 10 or Sch 40



Side Outlet

Used in situations where depths are limited and a shallow outlet is required.

- › Body Depth – 6”
- › Top Plate Size – 12” X 12” Square or 12” OD
- › Outlet Size – 2” | 3” | 4”
- › Outlet Type – Sch 10



Membrane Ring

Used when a floor requires a water proof membrane. Drain also includes weep holes to allow water to seep into the drain.

- › Body Depth – 2.5” | 6” | 10”
- › Top Plate Size – 12” X 12” Square or 12” OD
- › Outlet Size – 2” | 3” | 4” | 6” | 8”
- › Outlet Type – Sch 10 or Sch 40



Trap Primer

A trap primer is installed on drains that do not see wash downs very often. The trap primer helps keep a water seal in the p-trap from drying out.

- › Body Depth – 6” | 10”
- › Top Plate Size – 12” X 12” Square or 12” OD
- › Outlet Size – 2” | 3” | 4” | 6” | 8”
- › Outlet Type – Sch 10 or Sch 40



P-Traps & Cleanout Assembly

P-Traps are designed to flush waste away while preventing backflow of noxious fumes and gases from the sewer line. Drains can be equipped with a p-trap and cleanout, or a trap by itself. The p-trap and cleanout allows for cleaning down line.

- › Body Depth – 6”
- › Top Plate Size – 12” X 12” Square or 12” OD
- › Outlet Size – 3” | 4” | 6” | 8”
- › Outlet Type – Sch 10



Drain Baskets

All of our floor drain baskets offer a universal fit for our standard drain bodies. Our standard basket offers superior clean ability and optimal flow rates for most applications. We also designed it to assure it never allows standing water to collect. Just another way we are ensuring a sanitary design.

If you need more capacity then choose from our traditional styles that offer a deeper profile and higher flow rate.

Standard Basket

Standard basket provided with all of our drains unless another option requested.



Slotted Basket

Slotted basket design allows for maximum flow.



Old Style Basket

Original basket option and same basket that is standard on competitors drains.



Deep Profile Basket

Deep profile design used in our deep profile drain bodies.



Low Profile Basket

Low profile design used in our low profile drain bodies.



Drain Covers

AWI offers many cover options for your stainless steel drains. Designed for the food and dairy industries, our covers are a sanitary design and built to withstand heavy forklift traffic.



Solid Cover



Full Grate



Half Grate



Slotted Cover



Center Hole



Finger Notch



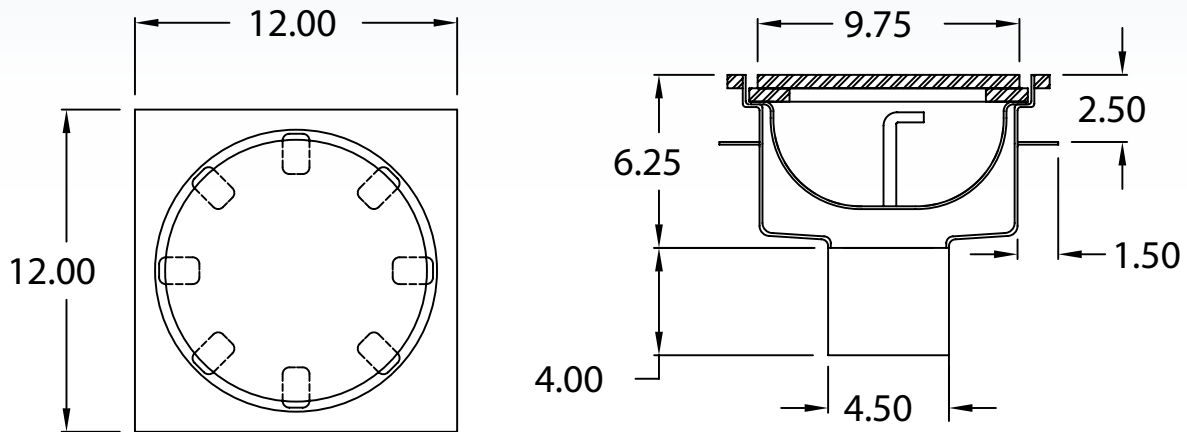
Sealed Cover (O Ring)



Locking Cover

FD4 Series Floor Drain

SPEC SHEET



Material Type:

- 304 Stainless Steel
- 316 Stainless Steel

Top Profile:

- Square Top
- Round Top

Outlet Size:

- 2"
- 3"
- 4"
- 6"
- 8"

Outlet Type:

- Sch 10
- Sch 40

Baskets:

- Standard Basket
- Slotted Basket
- Old Style Basket
- Locking Basket

Covers:

- Solid Cover
- Full Grate
- Half Grate
- Slotted Cover
- Center Hole
- Finger Notch
- Sealed Cover (O-Ring)
- Locking Cover

Cover Options:

- Slip Resistant Surface

Outlet Options:

- NPT Male Threaded
- NPT Female Threaded

Other Options:

- Trap Primer
- P-Trap
- P-Trap & Cleanout Combo
- Secondary Strainer
- Membrane Ring w/ Weep Holes

Body Type:

- Standard Profile (6" Deep)
- Low Profile (2.5" Deep)
- Deep Profile (10" Deep)
- Side Outlet
- Cone Bottom

Contact AWI for other custom options.

Phone 320.485.2471 | Address PO Box 909, 3902 230th Street, Winsted, Minnesota 55395 | Email customerservice@awimfg.com

STAINLESS STEEL

Trench Drains

With over 40 years of experience building stainless steel trench drains, we want to be your trusted partner for your next project. We can work with your design or let us help you design a trench system that meets your needs. Put our industry experience and expertise to work for you!

Our stainless steel trench drains are manufactured in house in our facility in Winsted, MN which provides you with a unique advantage. Working directly with the manufacturer ensures that you get exactly what you are looking for.



Quality and Construction

We manufacture our trench drains out of thicker materials for a reason. Thinner materials, while reducing some cost can result in warping after welding and also may add to increased cost of labor at installation. Let our experience help you design a stainless steel trench drain that is going to be easy to install and will be exceptional in both fit and finish. We don't cut corners when it comes to quality and construction. Let us prove it to you!

- › 304 or 316 stainless steel construction
- › Heavy duty 12 gauge materials standard
- › Schedule 10 and Schedule 40 outlets available
- › 1/8" per foot slope or custom slope per application

Stainless Trench Drain Styles

It is unlikely that you are going to come across a stainless steel trench drain design that we have not manufactured. We have many straight forward styles that we can recommend or we can work with you to design it.

- › V Bottom Profile
- › Square or Flat Bottom Profile
- › Slot Drains
- › Trench drain with catch basins or floor sink



Additional Options

- › Floor Sinks
- › Catch Basins
- › Outlet Strainers or Basket Strainer
- › Secondary Strainer
- › Sch 10 or Sch 40 Outlet
- › Inline Sump
- › Locking/Bolt Down Covers
- › Leveling Brackets



Trench Cover Options

We offer a complete line of stainless steel drain grates and trench drain grates for the food, dairy, meat, poultry and many other industries. We have been a trusted name in the food industry for over 40 years and we stand behind every product we make in our facility in Winsted, MN USA

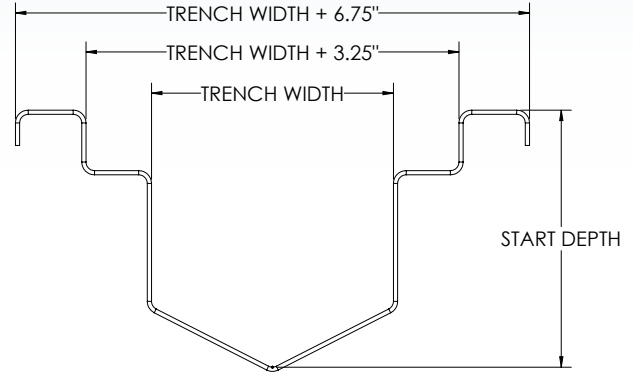
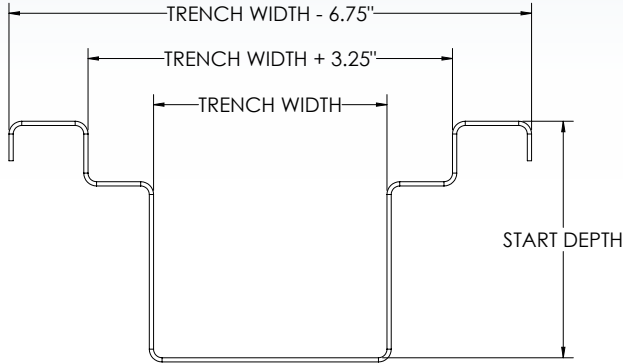
Installing a quality trench drain is very important but equally important is the product you use to cover your trench drains, floor sinks and other drain systems. Our strict quality standards, years of experience and expertise has allowed us to be an industry leader in stainless drain systems.

- › Bar Grate
- › Solid Plate
- › Slotted Solid Plate
- › Formed Slotted
- › Chem Grate
- › Perforated



Trench Drains

SPEC SHEET



Trench Length:

_____ Feet

Trough Width:

- 6" (Standard)
- 9" (Standard)
- Other _____

Trough Profile:

- V-Bottom
- Flat-Bottom

Material Thickness:

- 12 GA (Standard)
- 10 GA

Material Type:

- 304 S.S. (Standard)
- 316 S.S.

Slope/Ft:

- 1/8" (Standard)
- 1/4"
- 1/16"

Outlet Size:

- 3"
- 4" (Standard)
- 6"
- Other _____

Outlet Schedule:

- Sch. 10
- Sch. 40

Outlet Location:

- Center
- End

Outlet Strainer:

- Yes
- No

Sump Basin:

- No (Outlet Only)
- 12" Long
- 24" Long
- Other _____

**Cover Options
(Forklift Rated):**

- Bar Grate
- Solid Plate (w/perimeter drainage)

**Cover Options
(Non-Forklift Rated):**

- 10 GA Perforated Grate
- 10 GA Slotted Grate
- Chem Grate

Leveling Brackets:

- Yes
- No

Contact AWI for other custom options.

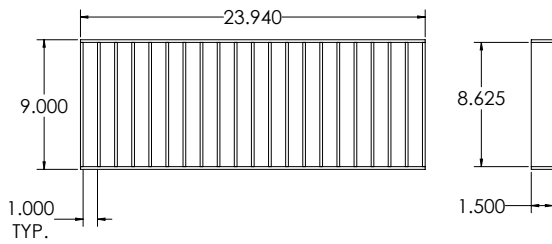
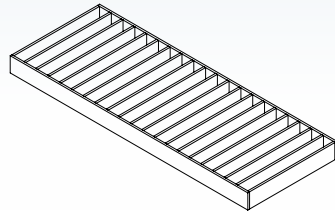
Phone 320.485.2471 | Address PO Box 909, 3902 230th Street, Winsted, Minnesota 55395 | Email customerservice@awimfg.com

Trench Covers

SPEC SHEET

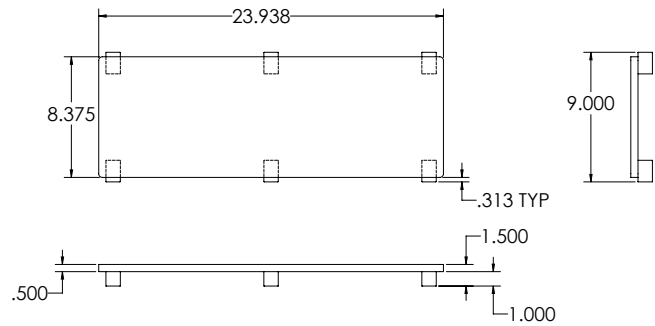
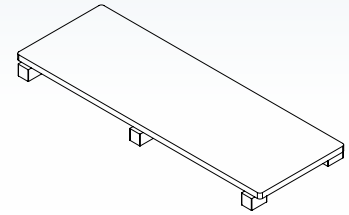
Bar Grate

- > Forklift Rated
- > 3/16" X 1-1/2" Construction



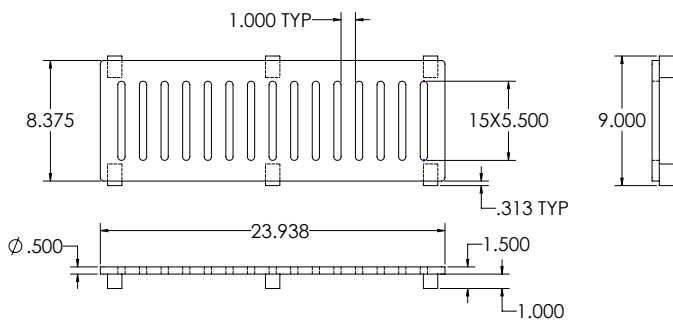
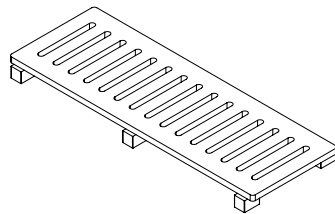
Solid

- > Forklift Rated
- > 1/2" Thick Construction



Slotted

- > Forklift Rated
- > 1/2" Thick Construction



Installing a quality trench drain is very important, but the cover you use on drains is equally important. Our strict quality standards ensure you'll receive a stainless steel cover that can withstand high use.

- > USDA Approved
- > Made in the USA
- > ISO Certified



Contact AWI for other custom options.

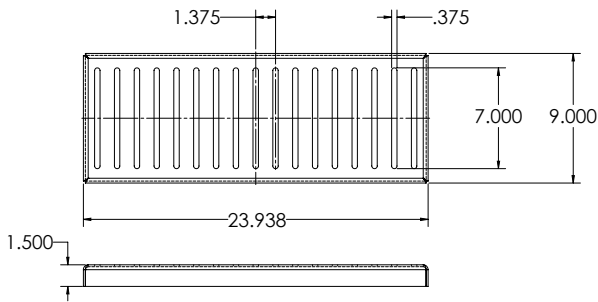
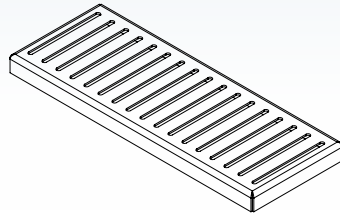
Phone 320.485.2471 | Address PO Box 909, 3902 230th Street, Winsted, Minnesota 55395 | Email customerservice@awimfg.com

Trench Covers

SPEC SHEET

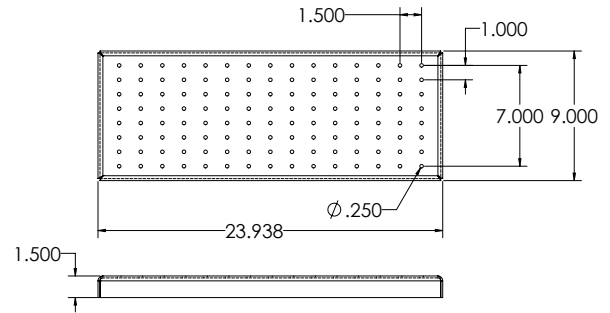
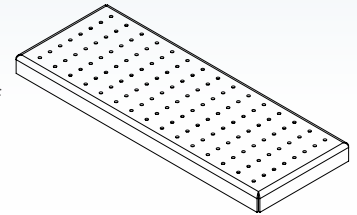
Formed Slotted

- > Pedestrian Rated
- > 10 Ga Construction



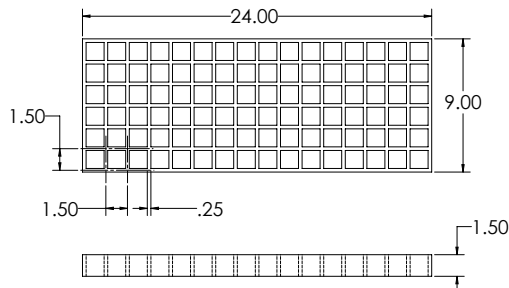
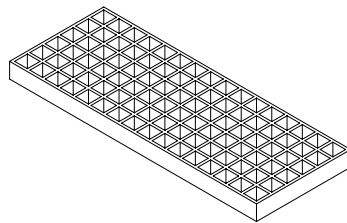
Perforated

- > Pedestrian Rated
- > ADA Compliant / Heel Proof
- > 10 Ga Construction



Chem Grate

- > Pedestrian Rated
- > Fiberglass Construction



A wide selection of stainless steel drain grates/trench covers ensure that you will have the correct grate for your drain application. Trust AWI to provide quality solutions.

- > Multiple cover styles offered
- > Custom designs available
- > Most styles in stock

Contact AWI for other custom options.

Phone 320.485.2471 | Address PO Box 909, 3902 230th Street, Winsted, Minnesota 55395 | Email customerservice@awimfg.com

Slot Drains

With over 40 years of experience building stainless steel slot drains, we want to be your trusted partner for your next project. We can work with your design or let us help you design a slot drain system that meets your needs. Put our industry experience and expertise to work for you!

Slot drains are used in many food and beverage related industries.

- › Food Processing Facilities
- › Beverage
- › Meat Processing
- › Hatcheries
- › Dairy Plants
- › Breweries
- › Poultry Plants

Our stainless steel slot drains are manufactured in house in our facility in Winsted, MN which provides you with a unique advantage. Working directly with the manufacturer ensures that you get exactly what you are looking for.

Quality and Construction

We manufacture all of our drains out of thicker materials for a reason. Thinner materials, while reducing some cost can result in warping after welding and also may add to increased cost of labor at installation. Let our experience help you design a stainless steel slot drain that is going to be easy to install and will be exceptional in both fit and finish. We don't cut corners when it comes to quality and construction. Let us prove it you!

- › 304 or 316 stainless steel construction
- › Heavy duty 12 gauge materials
- › Schedule 10 and Schedule 40 outlets available
- › 1/8" per foot slope or custom slope per application
- › ISO 9001 Quality System



Stainless Slot Drain Styles

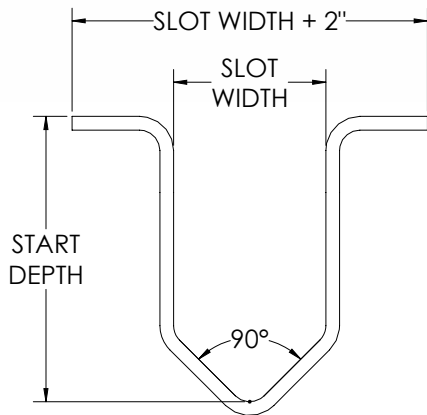
It is unlikely that you are going to come across a stainless steel slot drain design that we have not manufactured. We have many straight forward styles that we can recommend or we can work with you to design it.

Additional Options

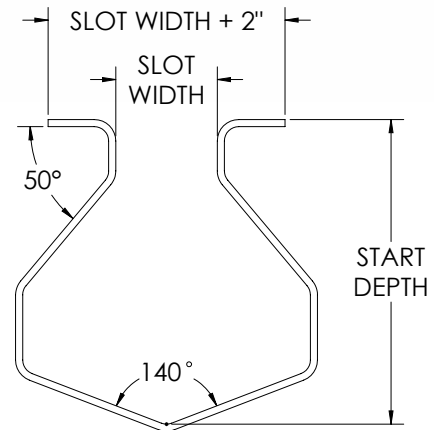
- › Floor Sinks
- › Catch Basins
- › Outlet Strainers or Basket Strainer
- › Secondary Strainer
- › Sch 10 or Sch 40 Outlet
- › Locking/Bolt Down Covers
- › Leveling Brackets



Straight



Tear Drop



Slot Length:

_____ Feet

Slot Width:

- 1.5" (Standard)
- Other _____

Slot Profile:

- Straight
- Tear Drop

Material Thickness:

- 12 GA (Standard)
- 10 GA

Material Type:

- 304 S.S. (Standard)
- 316 S.S.

Slope/Ft:

- 1/8" (Standard)
- Other _____

Sump Basin:

- Center
- End

Outlet Size:

- 3"
- 4" (Standard)
- 6"
- Other

Outlet Schedule:

- Sch. 10
- Sch. 40

Leveling Brackets:

- Yes
- No

Slot Drains may be sent in multiple sections depending on overall length.

Contact AWI for other custom options.

Phone 320.485.2471 | **Address** PO Box 909, 3902 230th Street, Winsted, Minnesota 55395 | **Email** customerservice@awimfg.com

STAINLESS STEEL

Cleanouts

Stainless steel cleanouts are available in stock or we can manufacture to your exact order. Our stainless cleanouts are designed for easy access if a trunk line needs to be cleaned. Comes standard with a PVC plug and an O-Ring seal.

Details

- › Standard 3", 4", 6" and 8"
- › 10" available for special order
- › T-304 and T-316 construction
- › PVC insert is standard but brass plug is an option
- › O-Ring sealed surface
- › Bead Blast Finish



SPEC SHEET ON PAGE 17

STAINLESS STEEL

Floor Sinks

AWI Manufacturing is a industry leader in the design and production of quality, stainless steel floor sinks. A sanitary design, built and designed with the knowledge of 40 years in the food and dairy industry.

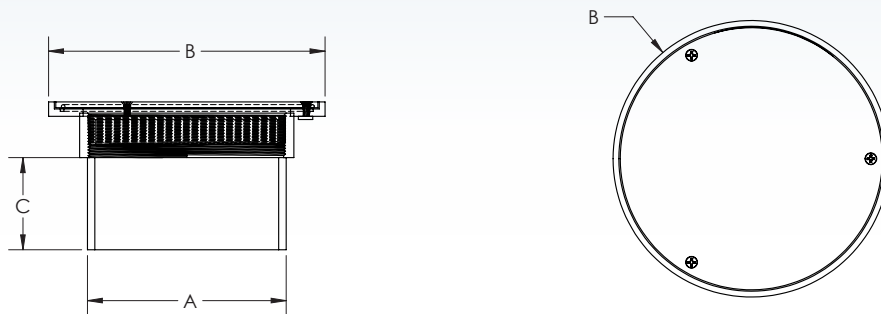
Every floor sink we make is made to USDA standards in our ISO Certified facility in Winsted, MN USA.

Places you will find our stainless steel floor sinks installed.

- › Food Processing
- › Dairy Plants
- › Beverage Processing
- › Industrial

SPEC SHEET ON PAGE 18





304 & 316 Stainless Steel

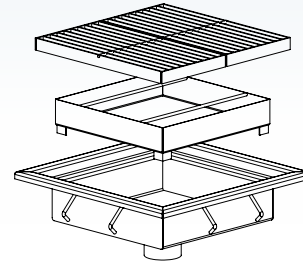
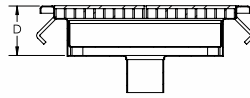
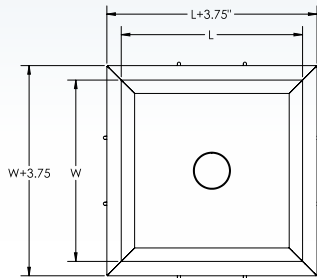
Size	A	B	C	Plug Type	304 Part Number	316 Part Number
3	3.38	8.00	4.00	PVC	CO-3	CO-3-316
				Brass	CO-3-BR	CO-3-BR-316
4	4.50	8.00	4.00	PVC	CO-4	CO-4-316
				Brass	CO-4-BR	CO-4-BR-316
6	6.63	10.00	4.00	PVC	CO-6	CO-6-316
				Brass	CO-6-BR	CO-6-BR-316
8	8.63	12.00	4.00	PVC	CO-8	CO-8-316
				Brass	CO-8-BR	CO-8-BR-316

Contact AWI for other custom options.

Phone 320.485.2471 | Address PO Box 909, 3902 230th Street, Winsted, Minnesota 55395 | Email customerservice@awimfg.com

Floor Sinks

SPEC SHEET



4"Outlet

Length "L"	Width "W"				Depth "D"
	12	18	24	30	
12	FS-121206-B41	FS-121806-B41	FS-122406-B41	FS-123006-B41	6
	FS-121212-B41	FS-121812-B41	FS-122412-B41	FS-123012-B41	12
18	FS-121806-B41	FS-181806-B41	FS-182406-B41	FS-183006-B41	6
	FS-121812-B41	FS-181812-B41	FS-182412-B41	FS-183012-B41	12
	FS-181218-B41	FS-181818-B41	FS-182418-B41	FS-183018-B41	18
24	FS-122406-B41	FS-182406-B41	FS-242406-B41	FS-243006-B41	6
	FS-122412-B41	FS-182412-B41	FS-242412-B41	FS-243012-B41	12
	FS-241218-B41	FS-182418-B41	FS-242418-B41	FS-243018-B41	18
	FS-241224-B41	FS-241824-B41	FS-242424-B41	FS-243024-B41	24
30	FS-123012-B41	FS-183012-B41	FS-243012-B41	FS-303012-B41	12
	FS-301218-B41	FS-183018-B41	FS-243018-B41	FS-303018-B41	18
	FS-301224-B41	FS-301824-B41	FS-243024-B41	FS-303024-B41	24
	FS-301230-B41	FS-301830-B41	FS-302430-B41	FS-303030-B41	30

6"Outlet

Length "L"	Width "W"				Depth "D"
	12	18	24	30	
12	FS-121206-B61	FS-121806-B61	FS-122406-B61	FS-123006-B61	6
	FS-121212-B61	FS-121812-B61	FS-122412-B61	FS-123012-B61	12
18	FS-121806-B61	FS-181806-B61	FS-182406-B61	FS-183006-B61	6
	FS-121812-B61	FS-181812-B61	FS-182412-B61	FS-183012-B61	12
	FS-181218-B61	FS-181818-B61	FS-182418-B61	FS-183018-B61	18
24	FS-122406-B61	FS-182406-B61	FS-242406-B61	FS-243006-B61	6
	FS-122412-B61	FS-182412-B61	FS-242412-B61	FS-243012-B61	12
	FS-241218-B61	FS-182418-B61	FS-242418-B61	FS-243018-B61	18
	FS-241224-B61	FS-241824-B61	FS-242424-B61	FS-243024-B61	24
30	FS-123012-B61	FS-183012-B61	FS-243012-B61	FS-303012-B61	12
	FS-301218-B61	FS-183018-B61	FS-243018-B61	FS-303018-B61	18
	FS-301224-B61	FS-301824-B61	FS-243024-B61	FS-303024-B61	24
	FS-301230-B61	FS-301830-B61	FS-302430-B61	FS-303030-B61	30

Contact AWI for other custom options.

Phone 320.485.2471 | Address PO Box 909, 3902 230th Street, Winsted, Minnesota 55395 | Email customerservice@awimfg.com

STAINLESS STEEL

P-Traps

AWI Manufacturing has been an industry leader in the design and manufacturing of stainless steel drains, trench systems and drain accessories for over 40 years. Our high quality P- Traps are made in our facility in Winsted, MN and we offer in stock options as well as custom sizes.

Details

- › Available in 1" through 16"
- › Schedule 10 or Schedule 40
- › 304 or 316 Stainless Steel

SPEC SHEET ON PAGE 20



STAINLESS STEEL

Laterals

Details

- › Available in 1" through 12"
- › Schedule 10 or Schedule 40
- › 304 Stainless or 316 Stainless

SPEC SHEET ON PAGE 21



STAINLESS STEEL

Hub Drains

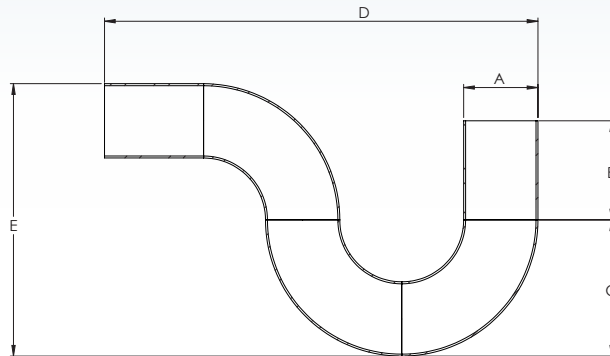
AWI Manufacturing offers a wide range of stainless steel hub drains. Standard size hub drain options are available in stock or we can manufacture to your exact order.

Details

- › T-304 or T-316
- › Glass Bead Finish
- › Size as Specified

SPEC SHEET ON PAGE 22



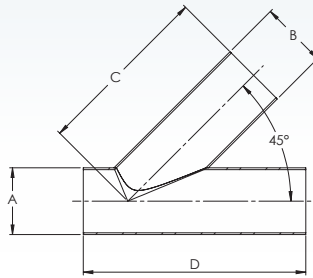


304 & 316 Stainless Steel

Size	A	B	C	D	E	Thickness	304 Part Number	316 Part Number
1.25	1.66	3.00	2.71	9.46	5.41	Sch 10	PT-1.2510	PT-1.2510-316
						Sch 40	PT-1.2540	PT-1.2540-316
1.5	1.90	3.00	3.20	10.70	6.40	Sch 10	PT-1.510	PT-1.510-316
						Sch 40	PT-1.540	PT-1.540-316
2	2.38	6.00	4.19	16.19	8.38	Sch 10	PT-210	PT-210-316
						Sch 40	PT-240	PT-240-316
3	3.50	6.00	6.25	21.25	12.50	Sch 10	PT-310	PT-310-316
						Sch 40	PT-340	PT-340-316
4	4.50	6.00	8.25	26.25	16.50	Sch 10	PT-410	PT-410-316
						Sch 40	PT-440	PT-440-316
6	6.63	6.00	12.31	36.31	24.63	Sch 10	PT-610	PT-610-316
						Sch 40	PT-640	PT-640-316
8	8.63	8.00	16.31	48.31	32.63	Sch 10	PT-810	PT-810-316
						Sch 40	PT-840	PT-840-316
10	10.75	10.00	20.38	60.38	40.75	Sch 10	PT-1010	PT-1010-316
						Sch 40	PT-1040	PT-1040-316
12	12.75	10.00	24.38	70.38	48.75	Sch 10	PT-1210	PT-1210-316
						Sch 40	PT-1240	PT-1240-316
14	14.00	12.00	28.00	82.00	56.00	Sch 10	PT-1410	PT-1410-316
						Sch 40	PT-1440	PT-1440-316
16	16.00	12.00	32.00	92.00	64.00	Sch 10	PT-1610	PT-1610-316
						Sch 40	PT-1640	PT-1640-316

Contact AWI for other custom options.

Phone 320.485.2471 | Address PO Box 909, 3902 230th Street, Winsted, Minnesota 55395 | Email customerservice@awimfg.com



304 & 316 Stainless Steel

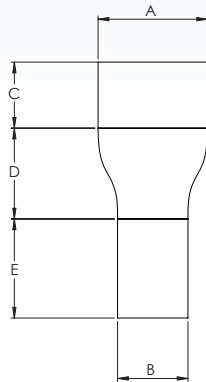
Size	A	B	C	D	Thickness	304 Part Number	316 Part Number
1.5	1.90	1.90	7.00	9.00	Sch 10	LAT45-1.5X1.5-10	LAT45-1.5X1.5-10-316
					Sch 40	LAT45-1.5X1.5-40	LAT45-1.5X1.5-40-316
2	2.38	2.38	8.00	10.50	Sch 10	LAT45-2X2-10	LAT45-2X2-10-316
					Sch 40	LAT45-2X2-40	LAT45-2X2-40-316
3x2	3.50	2.38	8.88	10.75	Sch 10	LAT45-3X2-10	LAT45-3X2-10-316
					Sch 40	LAT45-3X2-40	LAT45-3X2-40-316
3	3.50	3.50	10.00	13.00	Sch 10	LAT45-3X3-10	LAT45-3X3-10-316
					Sch 40	LAT45-3X3-40	LAT45-3X3-40-316
4x2	4.50	2.38	12.00	15.00	Sch 10	LAT45-4X2-10	LAT45-4X2-10-316
					Sch 40	LAT45-4X2-40	LAT45-4X2-40-316
4x3	4.50	3.50	10.88	12.81	Sch 10	LAT45-4X3-10	LAT45-4X3-10-316
					Sch 40	LAT45-4X3-40	LAT45-4X3-40-316
4	4.50	4.50	12.00	15.00	Sch 10	LAT45-4X4-10	LAT45-4X4-10-316
					Sch 40	LAT45-4X4-40	LAT45-4X4-40-316
6x2	6.63	2.38	14.50	18.00	Sch 10	LAT45-6X2-10	LAT45-6X2-10-316
					Sch 40	LAT45-6X2-40	LAT45-6X2-40-316
6x3	6.63	3.50	14.50	18.00	Sch 10	LAT45-6X3-10	LAT45-6X3-10-316
					Sch 40	LAT45-6X3-40	LAT45-6X3-40-316
6x4	6.63	4.50	14.50	18.00	Sch 10	LAT45-6X4-10	LAT45-6X4-10-316
					Sch 40	LAT45-6X4-40	LAT45-6X4-40-316
6	6.63	6.63	14.50	18.00	Sch 10	LAT45-6X6-10	LAT45-6X6-10-316
					Sch 40	LAT45-6X6-40	LAT45-6X6-40-316
8x4	8.63	4.50	17.50	22.00	Sch 10	LAT45-8X4-10	LAT45-8X4-10-316
					Sch 40	LAT45-8X4-40	LAT45-8X4-40-316
8x6	8.63	6.63	17.50	22.00	Sch 10	LAT45-8X6-10	LAT45-8X6-10-316
					Sch 40	LAT45-8X6-40	LAT45-8X6-40-316
8	8.63	8.63	17.50	22.00	Sch 10	LAT45-8X8-10	LAT45-8X8-10-316
					Sch 40	LAT45-8X8-40	LAT45-8X8-40-316
10	10.75	10.75	20.50	25.50	Sch 10	LAT45-10X10-10	LAT45-10X10-10-316
					Sch 40	LAT45-10X10-40	LAT45-10X10-40-316
12	12.75	12.75	24.50	30.00	Sch 10	LAT45-12X12-10	LAT45-12X12-10-316
					Sch 40	LAT45-12X12-40	LAT45-12X12-40-316

Contact AWI for other custom options.

Phone 320.485.2471 | Address PO Box 909, 3902 230th Street, Winsted, Minnesota 55395 | Email customerservice@awimfg.com

Hub Drains

SPEC SHEET



Size	A	B	C	D	E	Thickness	304 Part Number	316 Part Number
3X2	3.50	2.38	4.00	3.50	6.00	Sch 10	HD-3X2-10	HD-3X2-10-316
						Sch 40	HD-3X2-40	HD-3X2-40-316
4X2	4.50	2.38	4.00	4.00	6.00	Sch 10	HD-4X2-10	HD-4X2-10-316
						Sch 40	HD-4X2-40	HD-4X2-40-316
4X3	4.50	3.50	4.00	4.00	6.00	Sch 10	HD-4X3-10	HD-4X3-10-316
						Sch 40	HD-4X3-40	HD-4X3-40-316
6X3	6.63	3.50	4.00	5.50	6.00	Sch 10	HD-6X3-10	HD-6X3-10-316
						Sch 40	HD-6X3-40	HD-6X3-40-316
6X4	6.63	4.50	4.00	5.50	6.00	Sch 10	HD-6X4-10	HD-6X4-10-316
						Sch 40	HD-6X4-40	HD-6X4-40-316
8X4	8.63	4.50	4.00	6.00	6.00	Sch 10	HD-8X4-10	HD-8X4-10-316
						Sch 40	HD-8X4-40	HD-8X4-40-316
8X5	8.63	5.56	4.00	6.00	6.00	Sch 10	HD-8X5-10	HD-8X5-10-316
						Sch 40	HD-8X5-40	HD-8X5-40-316
8X6	8.63	6.63	4.00	6.00	6.00	Sch 10	HD-8X6-10	HD-8X6-10-316
						Sch 40	HD-8X6-40	HD-8X6-40-316
10X4	10.75	4.50	4.00	7.00	6.00	Sch 10	HD-10X4-10	HD-10X4-10-316
						Sch 40	HD-10X4-40	HD-10X4-40-316
10X6	10.75	6.63	4.00	7.00	6.00	Sch 10	HD-10X6-10	HD-10X6-10-316
						Sch 40	HD-10X6-40	HD-10X6-40-316
10X8	10.75	8.63	4.00	7.00	6.00	Sch 10	HD-10X8-10	HD-10X8-10-316
						Sch 40	HD-10X8-40	HD-10X8-40-316
12X8	12.75	8.63	4.00	8.00	6.00	Sch 10	HD-12X8-10	HD-12X8-10-316
						Sch 40	HD-12X8-40	HD-12X8-40-316
12X10	12.75	10.75	4.00	8.00	6.00	Sch 10	HD-12X10-10	HD-12X10-10-316
						Sch 40	HD-12X10-40	HD-12X10-40-316

Contact AWI for other custom options.

Phone 320.485.2471 | Address PO Box 909, 3902 230th Street, Winsted, Minnesota 55395 | Email customerservice@awimfg.com



AWI MANUFACTURING

Phone

320.485.2471

Address

PO Box 909, 3902 230th Street
Winsted, Minnesota 55395

Email

customerservice@awimfg.com

awimfg.com