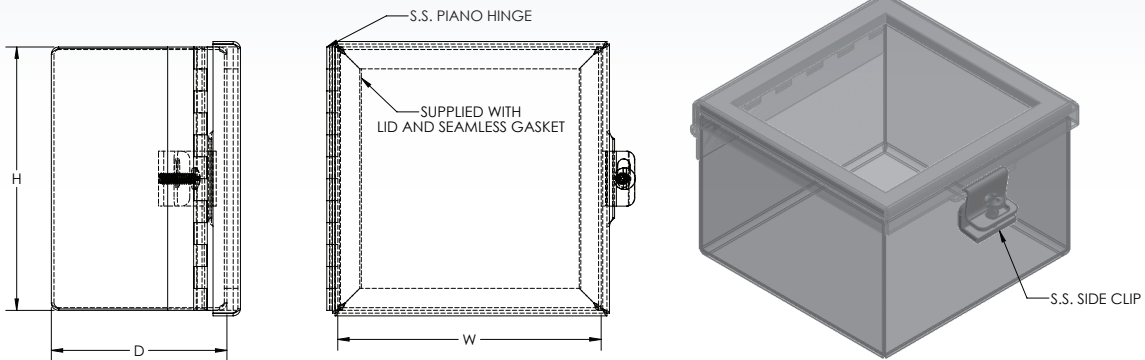


N4-H Series Junction Boxes

SPEC SHEET

with Piano Hinge



16 GA 304 Stainless Steel

Part Number	Height (H)	Width (W)	Depth (D)	Side Clips
N4-443	4	4	3	1
N4-444	4	4	4	1
N4-664	6	6	4	1
N4-666	6	6	6	1
N4-885	8	8	5	1
N4-886	8	8	6	1
N4-888	8	8	8	1
N4-10106	10	10	6	2
N4-10108	10	10	8	2
N4-12106	12	10	6	2
N4-12108	12	10	8	2
N4-12126	12	12	6	2
N4-12128	12	12	8	2



Contact AWI Manufacturing for other custom options.

Winsted, Minnesota | Phone 320.485.2471 | Email customerservice@awimfg.com | awimfg.com