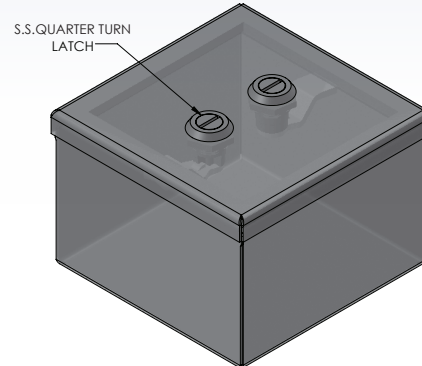
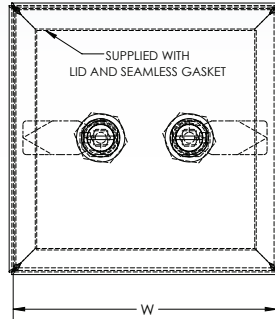
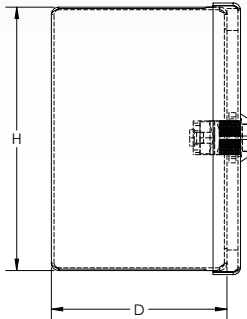


# N4-L Series Junction Boxes

## SPEC SHEET

with 1/4 Turn Latches



## 16 GA 304 Stainless Steel

Part Number	Height (H)	Width (W)	Depth (D)	1/4 Turn Latches
N4-443N-2LC-FG	4	4	3	2
N4-444N-2LC-FG	4	4	4	2
N4-664N-2LC-FG	6	6	4	2
N4-666N-2LC-FG	6	6	6	2
N4-885N-2LC-FG	8	8	5	2
N4-886N-2LC-FG	8	8	6	2
N4-888N-2LC-FG	8	8	8	2
N4-10106N-4LC-FG	10	10	6	4
N4-10108N-4LC-FG	10	10	8	4
N4-12126N-4LC-FG	12	12	6	4
N4-12128N-4LC-FG	12	12	8	4



Contact AWI Manufacturing for other custom options.

Winsted, Minnesota | Phone 320.485.2471 | Email [customerservice@awimfg.com](mailto:customerservice@awimfg.com) | [awimfg.com](http://awimfg.com)