

STAINLESS STEEL
**PROCESS PIPING
COMPONENTS**



TABLE OF CONTENTS

Stainless Steel Hangers.....	3
Polypropylene Hex Hangers.....	4
High Temp Hex Hangers.....	6
Metal Detectable Hex Hangers.....	8
Rubber Grommet Hex Hangers.....	10
U-Bolt Hangers.....	12
Packaging Options.....	14
 Stainless Steel Components.....	 15
Adjustable Band Clamps	16
Adjustable Legs.....	16
End Caps.....	17
Rings.....	18
Tube & Pipe Saddles.....	18
Wall Flanges.....	19
Wall Plates.....	21

Stainless Steel Hangers

At AWI our stainless steel hex hangers have been an industry standard for over 40 years. We are proud that our hangers are trusted in some of the largest food facilities in the USA. We are equally proud that our hex hangers are 100% made in the USA at our facility in Winsted, MN.

Quality & Construction

- › USDA Approved
- › Sanitary and Corrosive Resistant
- › Uniform Tumbled Finish
- › 304 Stainless Steel
- › ISO 9001: 2015 Certified Manufacturing Facility
- › Made in the USA



Contractors and Wholesalers

We work with wholesalers and contractors all over the USA. Our competitive pricing structure and large in-stock inventory allows our wholesale partners to sell our products without the need to carry massive inventories.

- › Large In-Stock Inventory
- › Quick Turnaround on Stock Orders
- › Multiple Packaging Options

If you are interested in becoming a wholesale partner please email us at customerservice@awimfg.com for more information.

Why Trust AWI With Your Hex Hanger Needs?

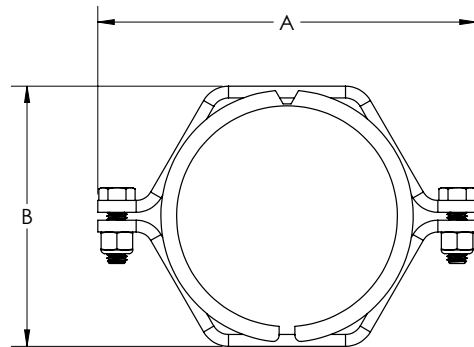
Our reputation as an industry leader matters to us! We strive every day to produce high-quality products at a competitive price. With over 40 years of experience in the food and dairy industry, we understand the importance of sanitary designs and considerations for food safety. It is evident in every product we make!

- › Outstanding Customer Service
- › Fast Quotes
- › Competitive Pricing

TUBE SIZE

Polypropylene Hex Hangers

Size (Tube)			Hanger w/ Polypropylene Collar	Bracket w/ Nuts & Bolts Only	Polypropylene Collar Only	Bolt Size
	A	B	Part #	Part #	Part #	Part #
1/2"	2 1/4"	1 1/16"	HS-050T-C	BS-050T-C	CP-050T	1/4" x 3/4"
3/4"	2 5/8"	1 3/16"	HS-075T-C	BS-075T-C	CP-075T	1/4" x 3/4"
1"	3 3/8"	1 9/16"	HS-100T-C	BS-100T-C	CP-100T	5/16" x 1"
1 1/2"	3 3/4"	2 1/8"	HS-150T-C	BS-150T-C	CP-150T	5/16" x 1"
2"	4 7/16"	2 5/8"	HS-200T-C	BS-200T-C	CP-200T	5/16" x 1"
2 1/2"	4 15/16"	3 1/8"	HS-250T-C	BS-250T-C	CP-250T	5/16" x 1"
3"	5 9/16"	3 5/8"	HS-300T-C	BS-300T-C	CP-300T	5/16" x 1"
4"	6 5/8"	4 5/8"	HS-400T-C	BS-400T-C	CP-400T	5/16" x 1"
5"	8 1/8"	5 5/8"	HS-500T-C	BS-500T-C	CP-500T	5/16" x 1"
6"	9 3/16"	6 5/8"	HS-600T-C	BS-600T-C	CP-600T	5/16" x 1"
8"	11 3/8"	8 3/4"	HS-800T-C	BK-800T-NH	CP-800T	5/16" x 1"
10"	14 1/2"	10 1/2"	HS-10.T-C	BK-10.T-NH	CP-10.T	3/8" x 1"
12"	16 5/8"	13"	HS-12.T-C	BK-12.T-NH	CP-12.T	3/8" x 1"



Typical Unfilled Polypropylene:

- › Deflection Temperature (@264 psi) 120°F
- › Deflection Temperature (@66 psi) 225°F
- › Melting Temperature Approximately 329°F



PIPE SIZE

Polypropylene Hex Hangers

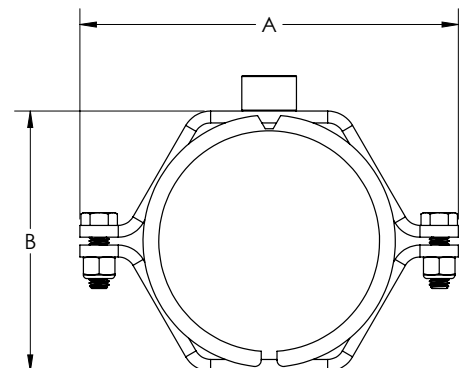
Size (Pipe)	A	B	Hanger w/ Polypropylene Collar	Bracket w/ Nuts & Bolts Only	Polypropylene Collar Only	Bolt Size
			Part #	Part #	Part #	Part #
1/2"	3 3/8"	2"	HS-050P-C	BS-100T-C	CP-050P	1/4" x 3/4"
3/4"	3 3/8"	1 9/16"	HS-075P-C	BS-100T-C	CP-075P	1/4" x 3/4"
1"	3 3/4"	2 1/8"	HS-100P-C	BS-150T-C	CP-100P	5/16" x 1"
1 1/4"	3 3/4"	2 1/4"	HS-125P-C	BS-150T-C	CP-125P	5/16" x 1"
1 1/2"	4 7/16"	2 5/8"	HS-150P-C	BS-200T-C	CP-150P	5/16" x 1"
2"	4 15/16"	3 1/8"	HS-200P-C	BS-250T-C	CP-200P	5/16" x 1"
2 1/2"	5 9/16"	3 1/8"	HS-250P-C	BS-300T-C	CP-250P	5/16" x 1"
3"	6 1/16"	4 1/4"	HS-300P-C	BS-300P-C	CP-300P	5/16" x 1"
4"	7 1/2"	5 5/8"	HS-400P-C	BS-400P-C	CP-400P	5/16" x 1"
5"	8 1/2"	6 3/8"	HS-500P-C	BS-500P-C	CP-500T	5/16" x 1"
6"	9 7/8"	7 3/8"	HS-600P-C	BS-600P-C	CP-600P	5/16" x 1"
8"	11 3/8"	9 3/8"	HS-800P-C	BK-800P-NH	CP-800T	5/16" x 1"
10"	15 3/8"	11 1/2"	HS-10.P-C	BK-10.P-NH	CP-10.T	3/8" x 1"
12"	17 1/2"	13 7/8"	HS-12.P-C	BK-12.P-NH	CP-12.T	3/8" x 1"



TUBE & PIPE SIZE

Coupling With Collar

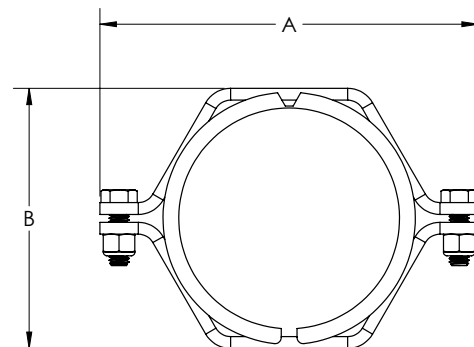
Size	Add to Part # Above	Half Coupling Only
	Part #	Part #
3/8" Pipe Coupling	-PC038	CPGPIP03/8
1/2" Pipe Coupling	-PC050	CPGPIP01/2
3/8" Rod Coupling	-RC038	CPGROD03/8
1/2" Rod Coupling	-RC050	CPGROD01/2



TUBE SIZE

High Temp Hex Hangers

			Hanger w/ High-Temp Collar	Bracket w/ Nuts & Bolts Only	High -Temp Collar Only	Bolt Size
Size (Tube)	A	B	Part #	Part #	Part #	Part #
1/2"	2 1/4"	1 1/16"	HS-050T-H	BS-050T-C	CH-050T	1/4" x 3/4"
3/4"	2 5/8"	1 3/16"	HS-075T-H	BS-075T-C	CH-075T	1/4" x 3/4"
1"	3 3/8"	1 9/16"	HS-100T-H	BS-100T-C	CH-100T	5/16" x 1"
1 1/2"	3 3/4"	2 1/8"	HS-150T-H	BS-150T-C	CH-150T	5/16" x 1"
2"	4 7/16"	2 5/8"	HS-250T-H	BS-200T-C	CH-200T	5/16" x 1"
2 1/2"	4 15/16"	3 1/8"	HS-250T-H	BS-250T-C	CH-250T	5/16" x 1"
3"	5 9/16"	3 5/8"	HS-300T-H	BS-300T-C	CH-300T	5/16" x 1"
4"	6 5/8"	4 5/8"	HS-400T-H	BS-400T-C	CH-400T	5/16" x 1"
5"	8 1/8"	5 5/8"	HS-500T-H	BS-500T-C	CH-500T	5/16" x 1"
6"	9 3/16"	6 5/8"	HS-600T-H	BS-600T-C	CH-600T	5/16" x 1"



Typical High Temp Collar:

- › Collars can withstand continuous temperature of 325°F.
- › Softening point = 374°F



PIPE SIZE

High Temp Hex Hangers

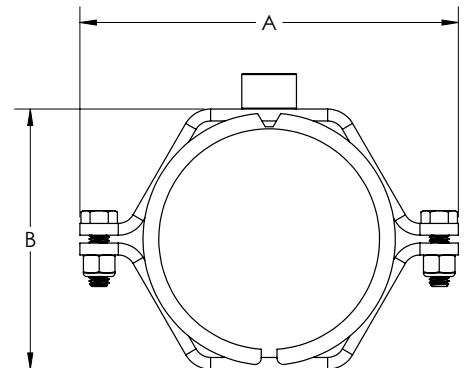
			Hanger w/ High-Temp Collar	Bracket w/ Nuts & Bolts Only	High -Temp Collar Only	Bolt Size
Size (Pipe)	A	B	Part #	Part #	Part #	Part #
1/2"	3 3/8"	2"	HS-050P-H	BS-100T-C	CH-050P	1/4" x 3/4"
3/4"	3 3/8"	1 9/16"	HS-075P-H	BS-100T-C	CH-075P	1/4" x 3/4"
1"	3 3/4"	1 7/8"	HS-100P-H	BS-150T-C	CH-100P	5/16" x 1"
1 1/2"	4 7/16"	2 5/8"	HS-150P-H	BS-200T-C	CH-150P	5/16" x 1"
2"	4 15/16"	3 1/8"	HS-200P-H	BS-250T-C	CH-200P	5/16" x 1"
2 1/2"	5 9/16"	3 7/8"	HS-250P-H	BS-300T-C	CH-250P	5/16" x 1"
3"	6 1/16"	4 1/4"	HS-300P-H	BS-300P-C	CH-300P	5/16" x 1"
4"	7 1/2"	5 5/8"	HS-400P-H	BS-400P-C	CH-400P	5/16" x 1"
6"	9 7/8"	7 3/8"	HS-600P-H	BS-600P-C	CH-600P	5/16" x 1"



TUBE & PIPE SIZE

Coupling With High Temp Collar

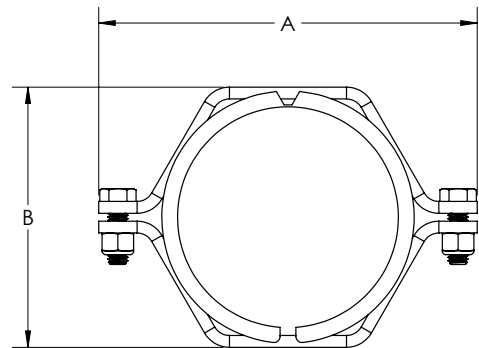
	Add to Part # Above	Half Coupling Only
Size	Part #	Part #
3/8" Pipe Coupling	-PC038	CPGPIP0-3/8
1/2" Pipe Coupling	-PC050	CPGPIP0-1/2
3/8" Rod Coupling	-RC038	CPGROD0-3/8
1/2" Rod Coupling	-RC050	CPGROD0-1/2



TUBE SIZE

Metal Detectable Hex Hangers

			Hanger w/ High-Temp Collar	Bracket w/ Nuts & Bolts Only	High -Temp Collar Only	Bolt Size
Size (Tube)	A	B	Part #	Part #	Part #	Part #
1/2"	2 1/4"	1 1/16"	HS-050T-M	BS-050T-C	CM-050T	1/4" x 3/4"
3/4"	2 5/8"	1 3/16"	HS-075T-M	BS-075T-C	CM-075T	1/4" x 3/4"
1"	3 3/8"	1 9/16"	HS-100T-M	BS-100T-C	CM-100T	5/16" x 1"
1 1/2"	3 3/4"	2 1/8"	HS-150T-M	BS-150T-C	CM-150T	5/16" x 1"
2"	4 7/16"	2 5/8"	HS-250T-M	BS-200T-C	CM-200T	5/16" x 1"
2 1/2"	4 15/16"	3 1/8"	HS-250T-M	BS-250T-C	CM-250T	5/16" x 1"
3"	5 9/16"	3 5/8"	HS-300T-M	BS-300T-C	CM-300T	5/16" x 1"
4"	6 5/8"	4 5/8"	HS-400T-M	BS-400T-C	CM-400T	5/16" x 1"
6"	9 3/16"	6 5/8"	HS-600T-M	BS-600T-C	CM-600T	5/16" x 1"



Typical Metal Detectable Collar:

- › Deflection temperature (@66 psi) 215°F.
- › Melting temperature approximately 300°F



Family-Owned Since 1970



All of our hex hangers are manufactured at our facility in the USA!

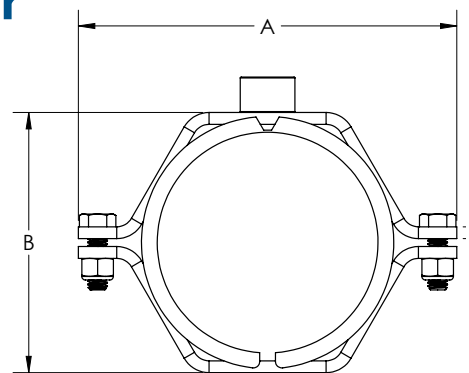
What started out in a garage in Winsted, MN has now grown into a 100,000 square foot manufacturing facility that employs 100 people. A family-owned and operated business with small-town American values and ethics.



TUBE SIZE

Coupling With Metal Detectable Collar

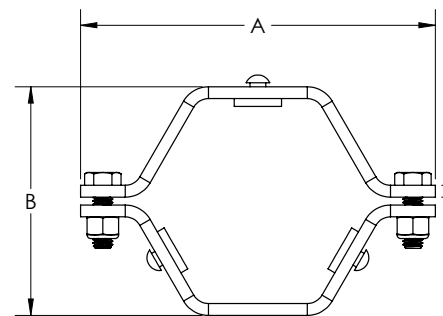
Size	Add to Part # Above	Half Coupling Only
	Part #	Part #
3/8" Pipe Coupling	-PC038	CPGPIP03/8
1/2" Pipe Coupling	-PC050	CPGPIP01/2
3/8" Rod Coupling	-RC038	CPGROD03/8
1/2" Rod Coupling	-RC050	CPGROD01/2



TUBE SIZE

Rubber Grommet Hex Hangers

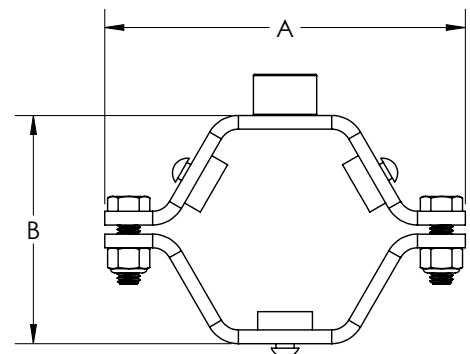
Size (Tube)	A	B	Grommet Qty & Size	Hanger w/ Alcryn Grommet	Hanger w/ Viton Grommet	Bracket w/ Nuts & Bolts Only	Bolt Size
				Part #	Part #	Part #	Part #
1/4"	2 1/4"	7/8"	1 ea. - 1/8, 1/4"	HS-025T-G	HS-025T-V	BK-025T-1H	1/4" x 3/4"
3/8"	2 1/4"	7/8"	2 - 1/8"	HS-038T-G	HS-038T-V	BK-025T-1H	1/4" x 3/4"
1/2"	3 3/8"	2 1/8"	3 - 3/8"	HS-050T-G	HS-050T-V	BS-100T-G	5/16" x 1"
3/4"	3 3/8"	2 1/8"	3 - 1/4"	HS-075T-G	HS-075T-V	BS-100T-G	5/16" x 1"
1"	3 3/8"	2 1/8"	3 - 1/8"	HS-100T-G	HS-100T-V	BS-100T-G	5/16" x 1"
1 1/4"	3 3/4"	2 1/8"	3 - 1/4"	HS-125T-G	HS-125T-V	BS-150T-G	5/16" x 1"
1 1/2"	3 3/4"	2 1/8"	3 - 1/8"	HS-150T-G	HS-150T-V	BS-150T-G	5/16" x 1"
2"	4 7/16"	2 5/8"	3 - 1/8"	HS-200T-G	HS-200T-V	BS-200T-G	5/16" x 1"
2 1/2"	4 15/16"	3 1/8"	3 - 1/8"	HS-250T-G	HS-250T-V	BS-250T-G	5/16" x 1"
3"	5 9/16"	3 5/8"	3 - 1/8"	HS-300T-G	HS-300T-V	BS-300T-G	5/16" x 1"
4"	6 5/8"	4 3/4"	4 - 1/8"	HS-400T-G	HS-400T-V	BS-400T-G	5/16" x 1"
5"	8 1/8"	5 5/8"	4 - 1/8"	HS-500T-G	HS-500T-V	BS-500T-G	5/16" x 1"
6"	9 3/16"	6 5/8"	5 - 1/8"	HS-600T-G	HS-600T-V	BS-600T-G	5/16" x 1"
8"	11 3/8"	8 3/4"	5 - 1/8"	HS-800T-G	HS-800T-V	BK-800T-1H	5/16" x 1"
10"	14 1/2"	10 1/2"	6 - 1/8"	HS-10.T-G	HS-10.T-V	BK-10.T-3H	3/8" x 1"
12"	16 5/8"	12 5/8"	6 - 1/8"	HS-12.T-G	HS-12.T-V	BK-12.T-3H	3/8" x 1"
14"	19"	14 3/4"	6 - 1/8"	HS-14.T-G	HS-14.T-V	BK-14.T-3H	3/8" x 1"



TUBE & PIPE SIZE

Coupling With Rubber Grommets

Size	Add to Part # Above	
	Part #	Part #
3/8" Pipe Coupling	-PC038	CPGPIP0-3/8
1/2" Pipe Coupling	-PC050	CPGPIP0-1/2
3/8" Rod Coupling	-RC038	CPGR0D0-3/8
1/2" Rod Coupling	-RC050	CPGR0D0-1/2



PIPE SIZE

Rubber Grommet Hex Hangers

Size (Pipe)	A	B	Grommet Qty & Size	Hanger w/ Alcryn Grommet	Hanger w/ Viton Grommet	Bracket w/ Nuts & Bolts Only	Bolt Size
				Part #	Part #	Part #	Part #
1/2"	3 3/8"	2 1/4"	3 - 1/4"	HS-050P-G	HS-050P-V	BS-100T-G	5/16" x 1"
3/4"	3 3/8"	2 3/16"	3 - 1/8"	HS-075P-G	HS-075P-V	BS-100T-G	5/16" x 1"
1"	3 3/4"	2 1/8"	3 - 1/4"	HS-100P-G	HS-100P-V	BS-150T-G	5/16" x 1"
1 1/4"	4 7/16"	2 3/4"	3 - 3/8"	HS-125P-G	HS-125P-V	BS-200T-G	5/16" x 1"
1 1/2"	4 7/16"	2 13/16"	3 - 1/4"	HS-150P-G	HS-150P-V	BS-200T-G	5/16" x 1"
2"	4 15/16"	3 1/4"	3 - 1/4"	HS-200P-G	HS-200P-V	BS-250T-G	5/16" x 1"
2 1/2"	5 9/16"	3 7/8"	3 - 1/4"	HS-250P-G	HS-250P-V	BS-300T-G	5/16" x 1"
3"	6 1/16"	4 5/16"	4 - 1/8"	HS-300P-G	HS-300P-V	BS-300P-G	5/16" x 1"
4"	7 1/2"	5 1/8"	4 - 1/8"	HS-400P-G	HS-400P-V	BS-400P-G	5/16" x 1"
5"	8 1/2"	6 3/8"	4 - 1/8"	HS-500P-G	HS-500P-V	BS-500P-G	5/16" x 1"
6"	9 7/8"	7 1/8"	5 - 1/8"	HS-600P-G	HS-600P-V	BS-600P-G	5/16" x 1"
8"	12 1/4"	9 3/8"	5 - 1/8"	HS-800P-G	HS-800P-V	BK-800P-2H	5/16" x 1"
10"	15 3/8"	11 3/8"	6 - 1/8"	HS-10.P-G	HS-10.P-V	BK-10.P-3H	3/8" x 1"
12"	17 1/2"	13 11/16"	6 - 1/8"	HS-12.P-G	HS-12.P-V	BK-12.P-3H	3/8" x 1"



Alcryn & Viton Grommets

Thickness	Alcryn	Viton
	Part #	Part #
1/8" Grommets	RG-013-A	RG-013-V
1/4" Grommets	RG-025-A	RG-025-V
3/8" Grommets	RG-038-A	RG-038-V
1/2" Grommets	RG-050-A	RG-050-V
5/8" Grommets	RG-063-A	RG-063-V



U-Bolt Hangers

U-Bolts are available in multiple sizes to accommodate most applications. Constructed of heavy duty stainless steel for process piping and industrial applications.

- > Available in Tube and Pipe Size
- > Made in USA



TUBE SIZE

U-Bolt Hangers

U-Bolt Size (Tube)	Plate Size	Rod Size	U-Bolt Hanger	Plate Only	U Bolt Only
			Part #	Part #	Part #
1/2"	3/16" X 3/4" X 1 7/8"	1/4" X 3 7/8"	UBT-050	UBT-050-P	UBT-050-U
3/4"	3/16" X 3/4" X 1 7/8"	1/4" X 3 7/8"	UBT-075	UBT-075-P	UBT-075-U
1"	3/16" X 3/4" X 2 1/8"	1/4" x 4 3/8"	UBT-100-UBP-075	UBT-100-P	UBT-100-U
1 1/2"	1/4" X 1" X 2 7/8"	5/16"	UBT-150	UBT-150-P	UBT-150-U
2"	1/4" X 1" X 3 3/8"	5/16"	UBT-200	UBT-200-P	UBT-200-U
2 1/2"	1/4" X 1" X 3 7/8"	5/16"	UBT-250	UBT-250-P	UBT-250-U
3"	1/4" X 1" X 4 3/8"	5/16"	UBT-300	UBT-300-P	UBT-300-U
4"	1/4" X 1" X 5 1/4"	5/16"	UBT-400	UBT-400-P	UBT-400-U
5"	1/4" X 1 1/4" X 6 1/2"	3/8"	UBT-500	UBT-500-P	UBT-500-U
6"	3/8" X 1 1/2" X 7 1/2"	3/8"	UBT-600	UBT-600-P	UBT-600-U
8"	3/8" X 1 1/2" X 9 1/2"	3/8"	UBT-800	UBT-800-P	UBT-800-U
10"	3/8" X 2" X 11 1/2"	3/8"	UBT-10.	UBT-10.-P	UBT-10.-U
12"	3/8" X 2" X 13 1/2"	3/8"	UBT-12.	UBT-12.-P	UBT-12.-U

PIPE SIZE

U-Bolt Hangers

U-Bolt Size (Pipe)	Plate Size	Rod Size	U-Bolt Hanger	Plate Only	U Bolt Only
			Part #	Part #	Part #
1/2"	3/16" X 3/4" X 1 7/8"	1/4"	UBP-050	UBP-050-P	UBP-050-U
3/4"	3/16" X 3/4" X 2 1/8"	1/4"	UBP-075	UBT-100-P	UBT-100-U
1"	3/16" X 3/4" X 2 1/2"	1/4"	UBP-100	UBP-100-P	UBP-050-U
1 1/4"	1/4" X 1" X 2 7/8"	5/16"	UBP-125	UBT-150-P	UBP-125-U
1 1/2"	1/4" X 1" X 3 1/8"	5/16"	UBP-150	UBP-150-P	UBP-150-U
2"	1/4" X 1" X 3 5/8"	5/16"	UBP-200	UBP-200-P	UBP-200-U
2 1/2"	1/4" X 1 1/4" X 5 1/8"	5/16"	UBP-250	UBP-250-P	UBP-250-U
3"	1/4" X 1 1/4" X 5 1/8"	3/8"	UBP-300	UBP-300-P	UBP-300-U
4"	1/4" X 1 1/4" X 6 1/8"	3/8"	UBP-400	UBP-400-P	UBP-400-U
5"	3/8" X 1 1/2" X 7 1/16"	3/8"	UBP-500	UBP-500-P	UBP-500-U
6"	3/8" X 1 1/2" X 8 1/4"	3/8"	UBP-600	UBP-600-P	UBP-600-U
8"	3/8" X 2" X 10 1/8"	3/8"	UBP-800	UBP-800-P	UBP-800-U
10"	3/8" X 2" X 12 1/4"	3/8"	UBP-10.	UBP-10.-P	UBP-10.-U
12"	1/4" X 1 1/2" X 14 5/8"	1/2"	UBP-12.	UBP-12.-P	UBP-12.-U



AWI also offers complete drain solutions.

AWI has been a trusted source in the stainless and sanitary drain market since 1970. We manufacture drains, trench drains and accessories such as cleanouts and hub drains. Ask your sales representative for a drain catalog or visit us at awimfg.com/floor-drains for more information.

Hex Hanger Packaging Options

Individually Bagged

This option is great for contractors as well as wholesalers.

Each hanger is placed in a durable bag that keeps all of the components in one place. This ensures fewer loose parts in the field and is also a great option for wholesalers who will not need to assemble loose hangers or break bundles to send individual hangers out.



Shrink-Wrapped on Boards

Shrink-wrapped and packaged on boards is another option we offer.

Hangers are placed on cardboard and shrink-wrapped in bundles. This option allows for multiple hangers per package. We understand that every customer has unique storage, warehousing or in the field requirements. Choose the option that works best for you and your situation.



Stainless Steel Components

In addition to our line of hex hangers, AWI also offers many other components used in process piping applications. From adjustable band clamps, pipe saddles and wall flanges we have you covered. Ask us about custom sizes or products.

Industries Served

- › Dairy
- › Brewery
- › Food Processing
- › Meat & Poultry
- › Beverage
- › Industrial

CUSTOM SIZES AVAILABLE UPON REQUEST

Adjustable Band Clamps

(19 Ga X 1" Wide)

Size	Part #
5" - 36"	CLAMP5 - 36
37" - 48"	CLAMP37-48
49" - 60"	CLAMP49-60
61" - 85"	CLAMP61-85



Adjustable Legs

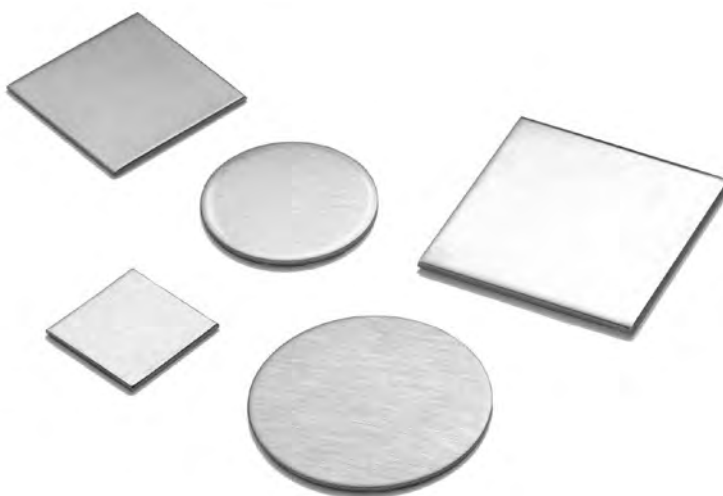
Adjustable legs from AWI are manufactured from stainless steel and are often used on tanks, frames, and enclosures for our food industrial customers.



Size	Weight Capacity	Part #
1 1/4" Sch 10 X 4" long	2,000lbs	LGR-125400
1 1/2" Sch 10 x 6" long	4,500lbs	LGR-150600
1 1/2" Sch 10 x 6" long - All Stainless	4,500lbs	LGR-150600-SS
2" Sch 40 X 4" long	4,500lbs	LGR-200400
2" Sch 40 X 6" long	5,500lbs	LGR-200600
2 1/2" Sch 40 X 6" long	7,000lbs	LGR-250600
3" Sch 40 X 6" long	7,500lbs	LGR-300600
4" Sch 40 X 6" long	8,500lbs	LGR-400600
1 1/2" Square X 6 Long 11 GA	3,000lbs	LGS-150600
2" Square X 6" long 11ga	4,500lbs	LGS-200600

CUSTOM SIZES AVAILABLE UPON REQUEST

End Caps



(SQUARE)

End Caps

12Ga

Size	Part #
1"	ECS-100-12G
1 1/2"	ECS-150-12G
2"	ECS-200-12G
2 1/2"	ECS-250-12G
3"	ECS-300-12G
4"	ECS-400-12G
2" X 3"	ECS-200300-12G
2" X 4"	ECS-200400-12G

TUBE SIZE (ROUND)

End Caps

16Ga

Size	Part #
1/2"	ECT-050-16G
3/4"	ECT-075-16G
1"	ECT-100-16G
1 1/2"	ECT-150-16G
2"	ECT-200-16G
2 1/2"	ECT-250-16G
3"	ECT-300-16G
4"	ECT-400-16G
5"	ECT-500-16G
6"	ECT-600-16G

PIPE SIZE (ROUND)

End Caps

16Ga

Size	Part #
1/2"	ECP-050-16G
3/4"	ECP-075-16G
1"	ECP-100-16G
1 1/4"	ECP-125-16G
1 1/2"	ECP-150-16G
2"	ECP-200-16G
2 1/2"	ECP-250-16G
3"	ECP-300-16G
4"	ECP-400-16G

Additional Charge Added To End Cap

Description	Add to end cap part #
Dished end cap	-D
Weld 1/2 nut to end cap	-N

CUSTOM SIZES AVAILABLE UPON REQUEST

Rings 16Ga

Size	Part #
1" ID X 1 1/2" OD	RNG-100150-16G
1 1/2" ID X 2" OD	RNG-150200-16G
1 1/2" ID X 3" OD	RNG-150300-16G
2" ID X 2 1/2" OD	RNG-200250-16G
2" ID X 3" OD	RNG-200300-16G
2" ID X 4" OD	RNG-200400-16G
2 1/2" ID X 3" OD	RNG-250300-16G
2 1/2" ID X 4" OD	RNG-250400-16G
3" ID X 4" OD	RNG-300400-16G



Tube & Pipe Saddles

TUBE SIZE

Tube Saddles

Size	Part #
1 1/2"	PST-150
2"	PST-200



PIPE SIZE

Sch 10 Pipe Saddles

Size	Part #
1"	PSP-100-S10
1 1/4"	PSP-125-S10
1 1/2"	PSP-150-S10
2"	PSP-200-S10
3"	PSP-300-S10
4"	PSP-400-S10

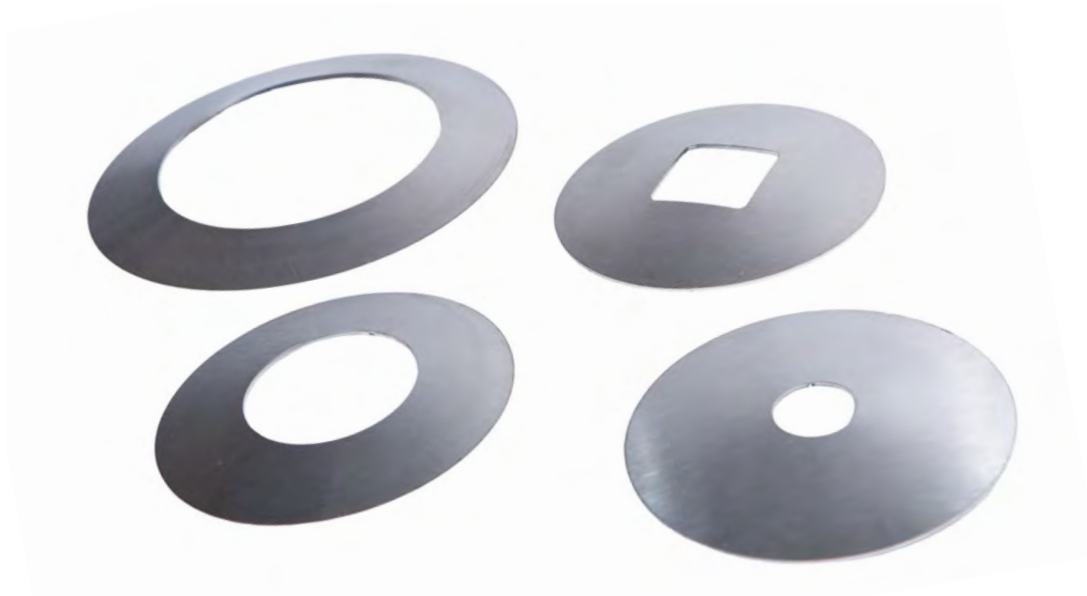
PIPE SIZE

Sch 40 Pipe Saddles

Size	Part #
1"	PSP-100-S40
1 1/4"	PSP-125-S40
1 1/2"	PSP-150-S40
2"	PSP-200-S40
2.5"	PSP-250-S40
3"	PSP-300-S40
4"	PSP-400-S40

CUSTOM SIZES AVAILABLE UPON REQUEST

Wall Flanges



SQUARE Wall Flanges 16Ga

Size	Part #
2" ID X 5" OD	WFS-200500-16G
1 1/2" ID X 5" OD	WFS-150500-16G

PIPE SIZE Split Wall Flanges 16Ga

Size	Part #
1.315" X 5"	WFP-100500-16G-S
1.9" X 5"	WFP-150500-16G-S
2.375" X 5"	WFP-200500-16G-S
2.875" X 5"	WFP-250500-16G-S
3.5" X 6"	WFP-300600-16G-S
4.5" X 7"	WFP-400700-16G-S
5.563" X 9"	WFP-500900-16G-S
6.625" X 10"	WFP-60010.-16G-S
8.625" X 12"	WFP-80012.-16G-S

TUBE SIZE Split Wall Flanges 16Ga

Size	Part #
1" X 5"	WFT-100500-16G-S
1.5" X 5"	WFT-150500-16G-S
2" X 5"	WFT-200500-16G-S
2.5" X 5"	WFT-250500-16G-S
3" X 6"	WFT-300600-16G-S
4" X 7"	WFT-400700-16G-S
5" X 8"	WFT-500800-16G-S
6" X 10"	WFT-60010.-16G-S
8" X 12"	WFT-80012.-16G-S

CUSTOM SIZES AVAILABLE UPON REQUEST

TUBE SIZE

Wall Flanges 16Ga

Tube Size	Dimensions	Part #
1/2"	1/2" ID X 3" OD	WFT-050300-16G
1/2"	1/2" ID X 5" OD	WFT-050500-16G
3/4"	3/4" ID X 3" OD	WFT-075300-16G
3/4"	3/4" ID X 5" OD	WFT-075500-16G
1"	1" ID X 3" OD	WFT-100300-16G
1"	1" ID X 5" OD	WFT-100500-16G
1 1/2"	1 1/2" ID X 5" OD	WFT-150500-16G
2"	2" ID X 5" OD	WFT-200500-16G
2 1/2"	2 1/2" ID X 5" OD	WFT-250500-16G
3"	3" ID X 6" OD	WFT-300600-16G
4"	4" ID X 7" OD	WFT-400700-16G
5"	5" ID X 8" OD	WFT-500800-16G
6"	6" ID X 10" OD	WFT-60010.-16G
8"	8" ID X 12" OD	WFT-80012.-16G
10"	10" ID X 14" OD	WFT-10.14.-14G
12"	12" ID X 16" OD	WFT-12.16.-14G

PIPE SIZE

Wall Flanges 16Ga

Pipe Size	Dimensions	Part #
1/2"	.84" ID X 5" OD	WFP-050500-16G
3/4"	1.05" ID X 5" OD	WFP-075500-16G
1"	1.315" ID X 5" OD	WFP-100500-16G
1 1/4"	1.66" ID X 5" OD	WFP-125500-16G
1 1/2"	1.9" ID X 5" OD	WFP-150500-16G
2"	2.375" ID X 5" OD	WFP-200500-16G
2 1/2"	2.875" ID X 5" OD	WFP-250500-16G
3"	3.5" ID X 6" OD	WFP-300600-16G
4"	4.5" ID X 7" OD	WFP-400700-16G
5"	5.563" ID X 9" OD	WFP-500900-16G
6"	6.625" ID X 10" OD	WFP-60010.-16G
8"	8.625" ID X 12" OD	WFP-80012.-16G
10"	10.75" ID X 14.75" OD	WFP-10.14.-14G-01
12"	12.75" ID X 16.75" OD	WFP-12.16.-14G-01

CUSTOM SIZES AVAILABLE UPON REQUEST

Wall Plates



Size	Part #
1/4" X 2" X 6"	WP-200600-025
1/4" X 2" X 7"	WP-200700-025
1/4" X 2 1/2" X 6"	WP-250600-025
1/4" X 2 1/2" X 7"	WP-250700-025
1/4" X 4" X 4"	WP-400400-025
1/4" X 6" X 6"	WP-600600-025
1/4" X 8 X 8"	WP-800800-025

Additional Charge For Holes	
Size	Add to Above Wall Plate Part #
1 Hole	-1
2 Holes	-2
3 Holes	-3
4 Holes	-4

Hole Sizes
Hole Sizes Available
5/16"
3/8"
7/16"
1/2"
9/16"
5/8"
11/16"
3/4"
13/16"
7/8"
15/16"
1"

CUSTOM SIZES AVAILABLE UPON REQUEST



AWI MANUFACTURING

Phone

320.485.2471

Address

PO Box 909, 3902 230th Street
Winsted, Minnesota 55395

Email

customerservice@awimfg.com

awimfg.com