

STAINLESS STEEL
**ENCLOSURES AND
JUNCTION BOXES**



TABLE OF CONTENTS

Enclosures.....	3
S-Series Sloped Top Enclosure.....	4
F-Series Flat Top Enclosure.....	8
O-Series Sloped Top Enclosure.....	12
Custom Enclosures.....	16
Enclosure Options.....	17
Latch Options.....	19
Sub Panels.....	20
Junction Boxes.....	21
N1-Series Junction Boxes.....	22
N4-H Series Junction Boxes.....	24
N4-L Series Junction Boxes.....	26
Frequently Asked Questions.....	28

STAINLESS STEEL

Enclosures

Our stainless steel electrical enclosures are designed and manufactured with the food and beverage industries in mind. With over 40 years of proven industry experience you can trust AWI to deliver your enclosures on time and with unsurpassed quality.

Quality & Construction

- › UL Listed
- › USDA Approved
- › Heavy Duty 12 Gauge Standard Construction
- › Interior Hinges create more cosmetic look
- › Sanitary and Corrosive Resistant
- › ISO 9001:2015 Certified



Engineering & Specifications

Some of the largest brands, contractors, design builds, and engineering firms have spec'd our stainless enclosures on their projects. We take great pride in knowing they are calling out our products by name. If you need drawings, certs, spec sheets or anything else for your next design or project please contact us and let us help.

- › In-House Engineering
- › Submittal and Approval Drawings
- › Industry experts in enclosure engineering for the food industry

Why Trust Your Stainless Enclosure Project to AWI?

Our reputation as an industry leader matters to us! We strive to offer high quality enclosures at competitive prices. Our dedicated project managers are here to ensure you receive great customer service and attention to detail.

- › Over 40 years in the stainless enclosure business
- › Large in stock quantities on standard products
- › Custom and stock enclosures
- › Made in the USA



STAINLESS STEEL

S-Series Sloped Top Enclosure

The AWI S-Series enclosure offers a sloped top to ensure you never have pooling water on top of the enclosure. This is a great style in wash down areas of the plant and helps ensure a safe and sanitary area.

Quality and Construction

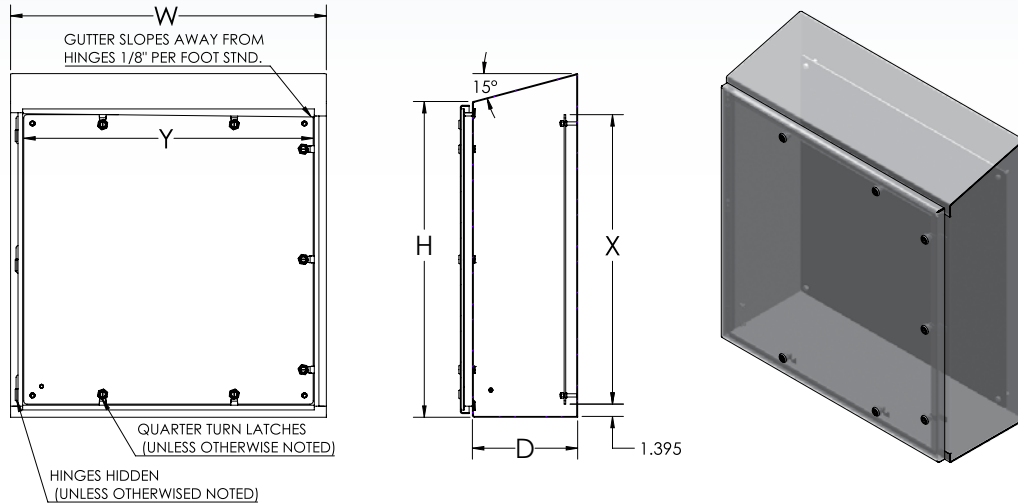
- › Gutter slopes away from hinges 1/8" per foot standard
- › No pooling water on top of enclosure
- › UL Listed
- › NEMA 4X
- › Silicone Gasket



Custom cutouts available on all standard enclosures.

S-Series Sloped Top Enclosure

SPEC SHEET



14 GA 304 Stainless Steel

Part Number	Height (H)	Width (W)	Depth (D)	Sub Panel Height (X)	Sub Panel Width (Y)
ENSS-161608	16	16	8	13	13
ENSS-162008	16	20	8	13	17
ENSS-162408	16	24	8	13	21
ENSS-161612	16	16	12	13	13
ENSS-162012	16	20	12	13	17
ENSS-162412	16	24	12	13	21
ENSS-201608	20	16	8	17	13
ENSS-202008	20	20	8	17	17
ENSS-202408	20	24	8	17	21
ENSS-201612	20	16	12	17	13
ENSS-202012	20	20	12	17	17
ENSS-202412	20	24	12	17	21

See next page for 12 GA 304 Stainless Steel

Contact AWI for other custom options.

Phone 320.485.2471 | Address PO Box 909, 3902 230th Street, Winsted, Minnesota 55395 | Email customerservice@awimfg.com

12 GA 304 Stainless Steel

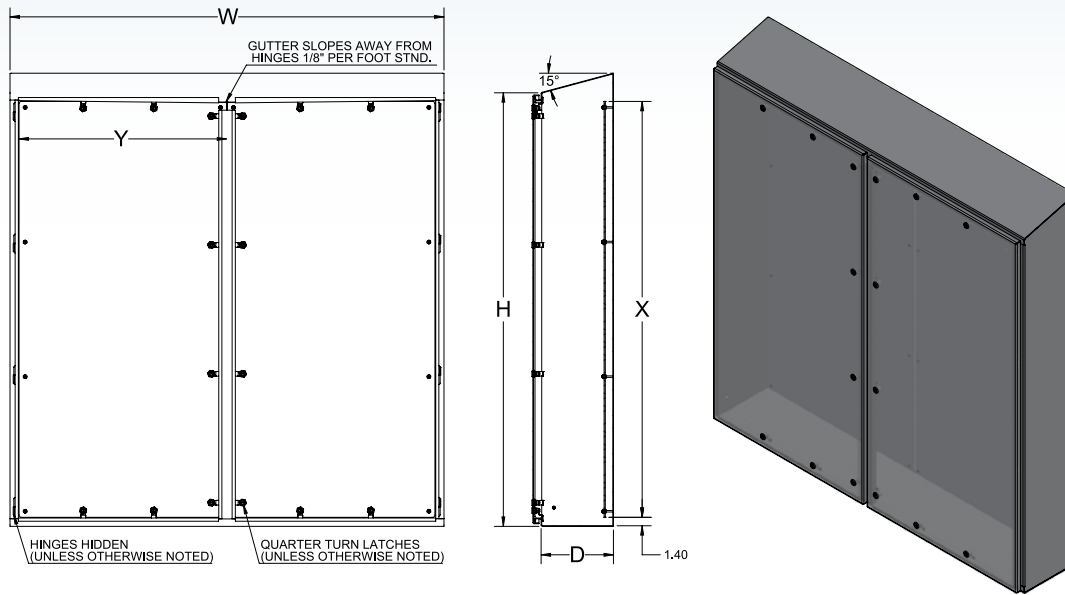
Part Number	Height (H)	Width (W)	Depth (D)	Sub Panel Height (X)	Sub Panel Width (Y)
ENSS-242008	24	20	8	21	17
ENSS-242408	24	24	8	21	21
ENSS-242012	24	20	12	21	17
ENSS-242412	24	24	12	21	21
ENSS-302412	30	24	12	27	21
ENSS-302012	30	20	12	27	17
ENSS-303012	30	30	12	27	27
ENSS-302416	30	24	16	27	21
ENSS-302016	30	20	16	27	17
ENSS-303016	30	30	16	27	27
ENSS-362412	36	24	12	33	21
ENSS-363012	36	30	12	33	27
ENSS-363612	36	36	12	33	33
ENSS-362416	36	24	16	33	21
ENSS-363016	36	30	16	33	27
ENSS-363616	36	36	16	33	33
ENSS-482412	48	24	12	45	21
ENSS-483012	48	30	12	45	27
ENSS-483612	48	36	12	45	33
ENSS-484812	48	48	12	45	45
ENSS-482416	48	24	16	45	21
ENSS-483016	48	30	16	45	27
ENSS-483616	48	36	16	45	33
ENSS-484816	48	48	16	45	45
ENSS-603612	60	36	12	57	33
ENSS-604812	60	48	12	57	45
ENSS-606012	60	60	12	57	57
ENSS-603616	60	36	16	57	33
ENSS-604816	60	48	16	57	45
ENSS-606016	60	60	16	57	57
ENSS-723612	72	36	12	69	33
ENSS-724812	72	48	12	69	45
ENSS-726012	72	60	12	69	57
ENSS-723616	72	36	16	69	33
ENSS-724816	72	48	16	69	45
ENSS-726016	72	60	16	69	57

Contact AWI for other custom options.

Phone 320.485.2471 | Address PO Box 909, 3902 230th Street, Winsted, Minnesota 55395 | Email customerservice@awimfg.com

S-Series Double Door Enclosure

SPEC SHEET



12 GA 304 Stainless Steel

Part Number	Height (H)	Width (W)	Depth (D)	Height (X)	Width (Y)	Sub Qty
ENSD-604812	60	48	12	57	22.438	2
ENSD-606012	60	60	12	57	28.438	2
ENSD-607212	60	72	12	57	34.438	2
ENSD-604816	60	48	16	57	22.438	2
ENSD-606016	60	60	16	57	28.438	2
ENSD-607216	60	72	16	57	34.438	2
ENSD-724812	72	48	12	69	22.438	2
ENSD-726012	72	60	12	69	28.438	2
ENSD-727212	72	72	12	69	34.438	2
ENSD-724816	72	48	16	69	22.438	2
ENSD-726016	72	60	16	69	28.438	2
ENSD-727216	72	72	16	69	34.438	2

Contact AWI for other custom options.

Phone 320.485.2471 | Address PO Box 909, 3902 230th Street, Winsted, Minnesota 55395 | Email customerservice@awimfg.com

STAINLESS STEEL

F-Series Flat Top Enclosure

The AWI F-Series enclosure offers heavy-duty stainless steel construction and a beautifully polished OD finish.

Quality and Construction

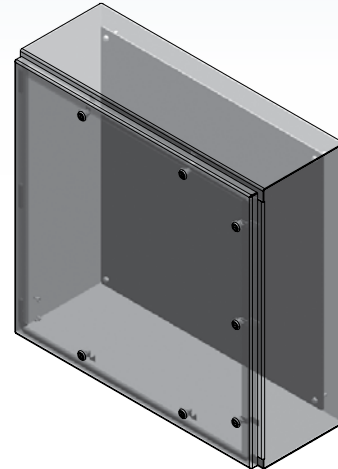
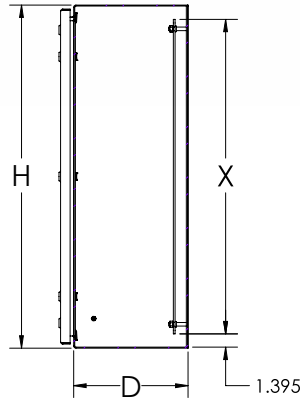
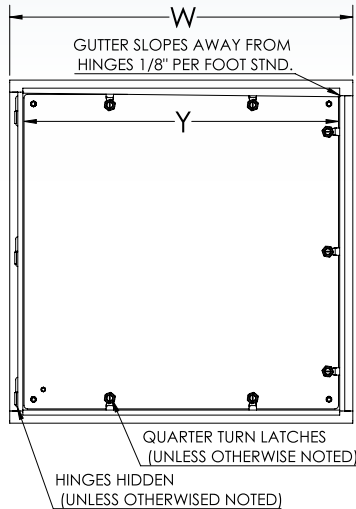
- › Flat Top Construction
- › Gutter slopes away from hinge 1/8" per foot standard
- › UL Listed
- › NEMA 4X Rating
- › Sanitary and Corrosive Resistant
- › Silicone Gasket



Custom cutouts available on all standard enclosures.

F-Series Flat Top Enclosure

SPEC SHEET



14 GA 304 Stainless Steel

Part Number	Height (H)	Width (W)	Depth (D)	Sub Panel Height (X)	Sub Panel Width (Y)
ENFS-161608	16	16	8	13	13
ENFS-162008	16	20	8	13	17
ENFS-162408	16	24	8	13	21
ENFS-161612	16	16	12	13	13
ENFS-162012	16	20	12	13	17
ENFS-162412	16	24	12	13	21
ENFS-201608	20	16	8	17	13
ENFS-202008	20	20	8	17	17
ENFS-202408	20	24	8	17	21
ENFS-201612	20	16	12	17	13
ENFS-202012	20	20	12	17	17
ENFS-202412	20	24	12	17	21

See next page for 12 GA 304 Stainless Steel

Contact AWI for other custom options.

Phone 320.485.2471 | Address PO Box 909, 3902 230th Street, Winsted, Minnesota 55395 | Email customerservice@awimfg.com

12 GA 304 Stainless Steel

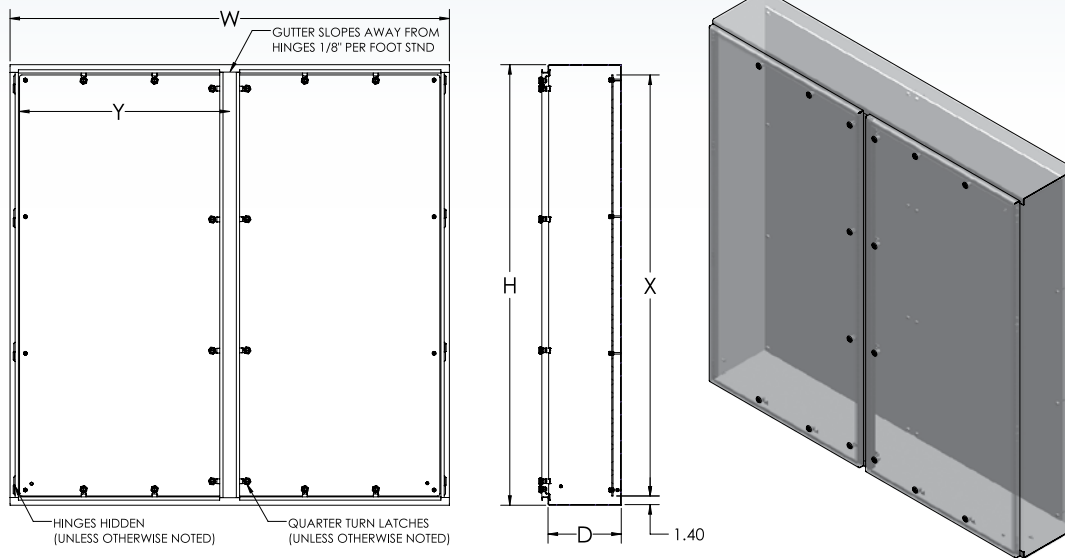
Part Number	Height (H)	Width (W)	Depth (D)	Sub Panel Height (X)	Sub Panel Width (Y)
ENFS-242008	24	20	8	21	17
ENFS-242408	24	24	8	21	21
ENFS-242012	24	20	12	21	17
ENFS-242412	24	24	12	21	21
ENFS-302412	30	24	12	27	21
ENFS-302012	30	20	12	27	17
ENFS-303012	30	30	12	27	27
ENFS-302416	30	24	16	27	21
ENFS-302016	30	20	16	27	17
ENFS-303016	30	30	16	27	27
ENFS-362412	36	24	12	33	21
ENFS-363012	36	30	12	33	27
ENFS-363612	36	36	12	33	33
ENFS-362416	36	24	16	33	21
ENFS-363016	36	30	16	33	27
ENFS-363616	36	36	16	33	33
ENFS-482412	48	24	12	45	21
ENFS-483012	48	30	12	45	27
ENFS-483612	48	36	12	45	33
ENFS-484812	48	48	12	45	45
ENFS-482416	48	24	16	45	21
ENFS-483016	48	30	16	45	27
ENFS-483616	48	36	16	45	33
ENFS-484816	48	48	16	45	45
ENFS-603012	60	30	12	57	27
ENFS-603612	60	36	12	57	33
ENFS-604812	60	48	12	57	45
ENFS-606012	60	60	12	57	57
ENFS-603616	60	36	16	57	33
ENFS-604816	60	48	16	57	45
ENFS-606016	60	60	16	57	57
ENFS-723612	72	36	12	69	33
ENFS-724812	72	48	12	69	45
ENFS-726012	72	60	12	69	57
ENFS-723616	72	36	16	69	33
ENFS-724816	72	48	16	69	45
ENFS-726016	72	60	16	69	57

Contact AWI for other custom options.

Phone 320.485.2471 | Address PO Box 909, 3902 230th Street, Winsted, Minnesota 55395 | Email customerservice@awimfg.com

F-Series Double Door Enclosure

SPEC SHEET



12 GA 304 Stainless Steel

Part Number	Height (H)	Width (W)	Depth (D)	Height (X)	Width (Y)	Sub Qty
ENFD-604812	60	48	12	57	22.438	2
ENFD-606012	60	60	12	57	28.438	2
ENFD-607212	60	72	12	57	34.438	2
ENFD-604816	60	48	16	57	22.438	2
ENFD-606016	60	60	16	57	28.438	2
ENFD-607216	60	72	16	57	34.438	2
ENFD-724812	72	48	12	69	22.438	2
ENFD-726012	72	60	12	69	28.438	2
ENFD-727212	72	72	12	69	34.438	2
ENFD-724816	72	48	16	69	22.438	2
ENFD-726016	72	60	16	69	28.438	2
ENFD-727216	72	72	16	69	34.438	2

Contact AWI for other custom options.

Phone 320.485.2471 | Address PO Box 909, 3902 230th Street, Winsted, Minnesota 55395 | Email customerservice@awimfg.com

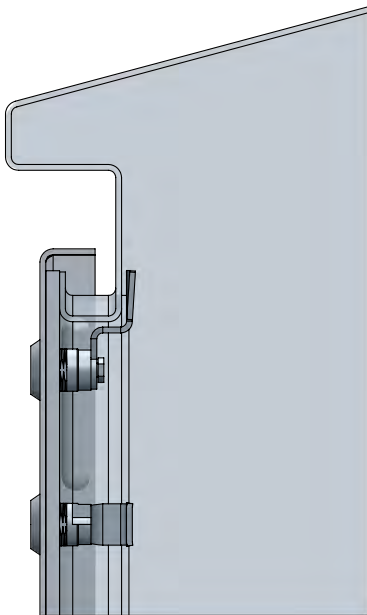
STAINLESS STEEL

O-Series Sloped Top Enclosure

The AWI O-Series enclosure offers an overhang that extends beyond the door. This design allows for less chance of water runoff on the door in wash down environments.

Quality and Construction

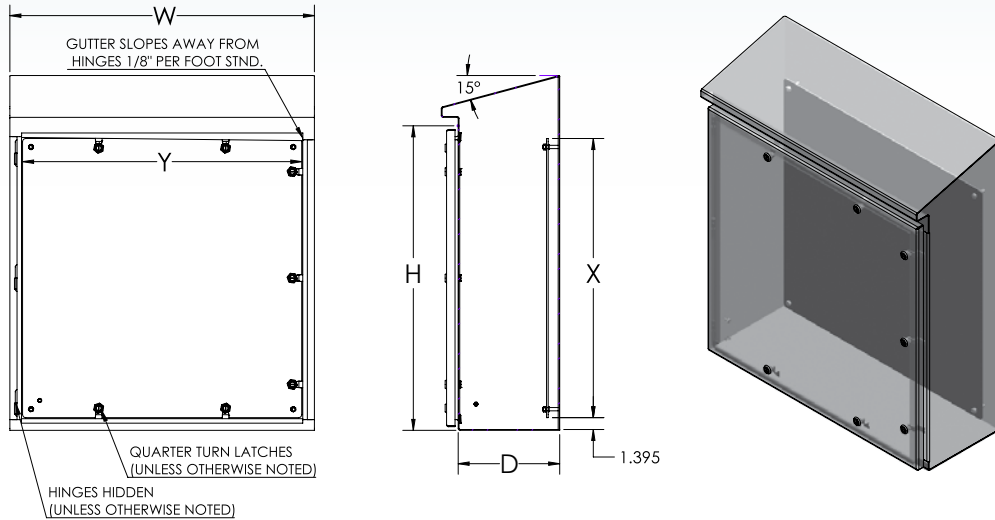
- › Slope Top Construction with Overhang
- › Gutter slopes away from hinge 1/8" per foot standard
- › UL Listed
- › NEMA 4X Rating
- › Sanitary and Corrosive Resistant
- › Silicone Gasket



Custom cutouts available on all standard enclosures.

O-Series Sloped Top Enclosure

SPEC SHEET



14 GA 304 Stainless Steel

Part Number	Height (H)	Width (W)	Depth (D)	Sub Panel Height (X)	Sub Panel Width (Y)
ENOS-161608	16	16	8	13	13
ENOS-162008	16	20	8	13	17
ENOS-162408	16	24	8	13	21
ENOS-161612	16	16	12	13	13
ENOS-162012	16	20	12	13	17
ENOS-162412	16	24	12	13	21
ENOS-201608	20	16	8	17	13
ENOS-202008	20	20	8	17	17
ENOS-202408	20	24	8	17	21
ENOS-201612	20	16	12	17	13
ENOS-202012	20	20	12	17	17
ENOS-202412	20	24	12	17	21

See next page for 12 GA 304 Stainless Steel

Contact AWI for other custom options.

Phone 320.485.2471 | Address PO Box 909, 3902 230th Street, Winsted, Minnesota 55395 | Email customerservice@awimfg.com

O-Series Sloped Top Enclosure

SPEC SHEET

12 GA 304 Stainless Steel

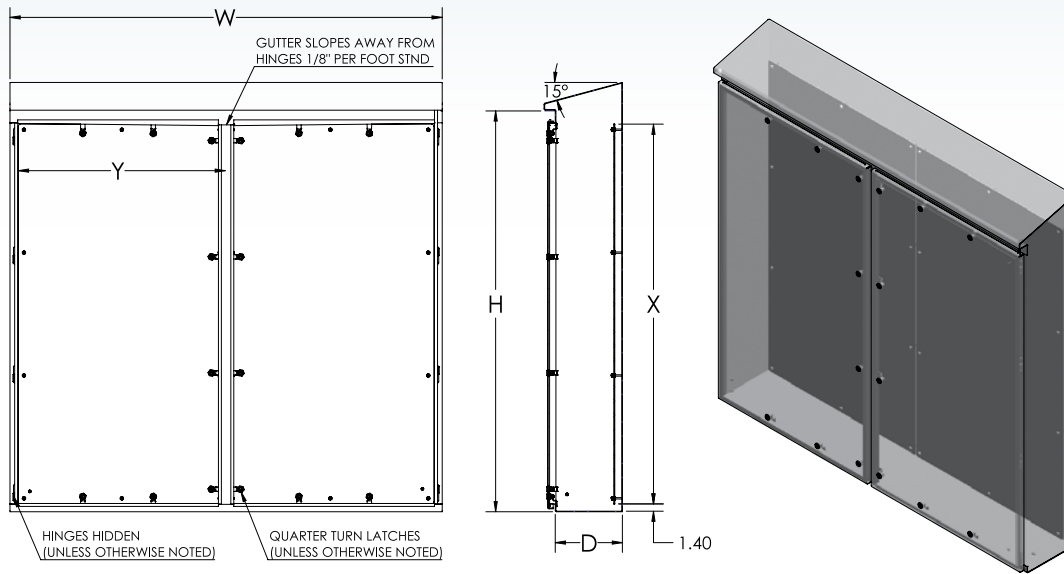
Part Number	Height (H)	Width (W)	Depth (D)	Sub Panel Height (X)	Sub Panel Width (Y)
ENOS-242008	24	20	8	21	17
ENOS-242408	24	24	8	21	21
ENOS-242012	24	20	12	21	17
ENOS-242412	24	24	12	21	21
ENOS-302412	30	24	12	27	21
ENOS-302012	30	20	12	27	17
ENOS-303012	30	30	12	27	27
ENOS-302416	30	24	16	27	21
ENOS-302016	30	20	16	27	17
ENOS-303016	30	30	16	27	27
ENOS-362412	36	24	12	33	21
ENOS-363012	36	30	12	33	27
ENOS-363612	36	36	12	33	33
ENOS-362416	36	24	16	33	21
ENOS-363016	36	30	16	33	27
ENOS-363616	36	36	16	33	33
ENOS-482412	48	24	12	45	21
ENOS-483012	48	30	12	45	27
ENOS-483612	48	36	12	45	33
ENOS-484812	48	48	12	45	45
ENOS-482416	48	24	16	45	21
ENOS-483016	48	30	16	45	27
ENOS-483616	48	36	16	45	33
ENOS-484816	48	48	16	45	45
ENOS-603012	60	30	12	57	27
ENOS-603612	60	36	12	57	33
ENOS-604812	60	48	12	57	45
ENOS-606012	60	60	12	57	57
ENOS-603616	60	36	16	57	33
ENOS-604816	60	48	16	57	45
ENOS-606016	60	60	16	57	57
ENOS-723612	72	36	12	69	33
ENOS-724812	72	48	12	69	45
ENOS-726012	72	60	12	69	57
ENOS-723616	72	36	16	69	33
ENOS-724816	72	48	16	69	45
ENOS-726016	72	60	16	69	57

Contact AWI for other custom options.

Phone 320.485.2471 | **Address** PO Box 909, 3902 230th Street, Winsted, Minnesota 55395 | **Email** customerservice@awimfg.com

O-Series Double Door Enclosure

SPEC SHEET



12 GA 304 Stainless Steel

Part Number	Height (H)	Width (W)	Depth (D)	Height (X)	Width (Y)	Sub Qty
ENOD-604812	60	48	12	57	22.438	2
ENOD-606012	60	60	12	57	28.438	2
ENOD-607212	60	72	12	57	34.438	2
ENOD-604816	60	48	16	57	22.438	2
ENOD-606016	60	60	16	57	28.438	2
ENOD-607216	60	72	16	57	34.438	2
ENOD-724812	72	48	12	69	22.438	2
ENOD-726012	72	60	12	69	28.438	2
ENOD-727212	72	72	12	69	34.438	2
ENOD-724816	72	48	16	69	22.438	2
ENOD-726016	72	60	16	69	28.438	2
ENOD-727216	72	72	16	69	34.438	2

Contact AWI for other custom options.

Phone 320.485.2471 | Address PO Box 909, 3902 230th Street, Winsted, Minnesota 55395 | Email customerservice@awimfg.com

Custom Enclosures

At AWI, custom enclosures are designed in-house with the help of our talented engineering staff and manufactured to your custom specifications. With over 40 years of experience in the food industry we have the expertise and manufacturing experience to ensure you get an enclosure that fits your needs for almost any custom application.

Quality and Construction

- › Built to UL Standards
- › NEMA Rated
- › Heavy Duty 12 Gauge Standard Construction
- › ISO 9001:2015 Certified Manufacturing

Engineering and Specifications

Trust our team to help ensure your custom enclosure is going to perform in the field and not just on paper.

- › In-House Engineering
- › Submittal and Approval Drawings
- › Experts in the food industry



Custom Cutouts

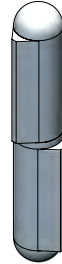
Adding cutouts to our standard and custom enclosures is a breeze with our laser cutting services and massive capacity. By investing in the newest technology and equipment we ensure that we can keep our lead times short for both standard and custom orders.

Enclosure Options

Tear Drop Hinge

Our tear drop hinge is a sanitary design that allows you to remove the door for cleaning and inspection.

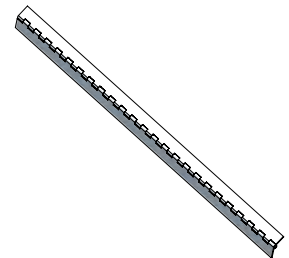
- › Removable Door
- › Sanitary Design



Piano Hinge

Also known as a continuous hinge this style of hinge runs the entire length of the panel.

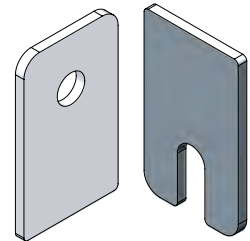
- › Stainless Steel Construction
- › Corrosion Resistant



Mounting Tabs

We offer heavy duty mounting tabs on most enclosures. The seams on these tabs are continuously welded and ground smooth.

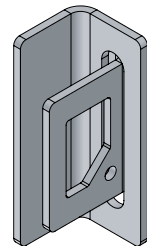
- › Heavy Duty 10 Gauge
- › Sanitary Design



Padlock Hasp

The padlock hasp is a great option to lock your enclosure with a standard padlock and also works for situations where lockout /tagout is required for safety.

- › 12 Gauge Construction
- › Sanitary Design



Enclosure Options

Adjustable Legs

AWI offers stainless steel, adjustable legs for our standard and custom enclosures in a variety of sizes.

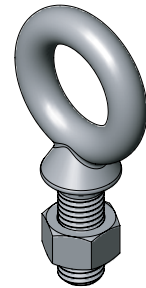
- › Adjustable
- › Weight ratings available



Lifting Lugs

We offer heavy duty lifting lugs on most enclosures. Lifting lugs are used to move large enclosures into place safely and without damaging the enclosure.

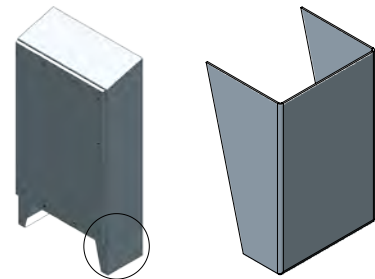
- › Eye Bolts
- › Stainless Steel Construction



Pedestals

Pedestals are formed, stainless steel legs made to incorporate seamlessly into the design of your enclosure.

- › Stainless Steel Construction
- › Anchor Bolt Holes

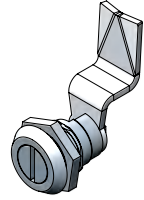


Latch Options

Quarter Turns

AWI offers stainless steel quarter turns for our standard and custom enclosures.

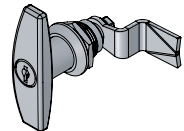
- › Easy access with flat head screwdriver
- › Stainless Steel Construction



T-Handles

Made of stainless steel, our T-handle latches offer a lockable design to secure the enclosure.

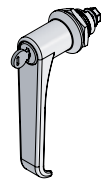
- › Lockable
- › Stainless Steel Construction



L-Handles

Our stainless steel L-handle latches offer an alternative to the T style.

- › Lockable
- › Stainless Steel Construction



3-Point Latch

Our 3-Point Latch system incorporates rollers and a stainless steel rod mechanism to secure the top and bottom of the enclosure simultaneously when the handle is turned.

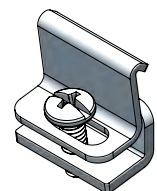
- › Lockable
- › Stainless Steel Construction



Side Clips

Side clips are a simple solution most often found on our junction box product line.

- › Quick Access
- › Stainless Steel Construction

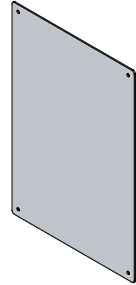


Sub Panels

Aluminum (Standard)

Our aluminum sub panels are laser cut from 5052 aluminum which provides a strong, yet lightweight option for your subs.

- › .190 5052 Aluminum
- › Lightweight and strong
- › Easy to work with and drill and tap



Galvanized (Standard)

Galvanized sub panels are cut from galvanized sheets and include bent lips to provide increased strength.

- › 14 Gauge Galvanized Steel Construction
- › Formed lip for strength and rigidity



Powder Coated Steel (Custom Option)

Steel sub panels are finished with a baked on powder coat finish to protect them from rust and corrosion. They also include bent lips for strength.

- › 14 Gauge Steel Construction
- › Formed lip for strength and rigidity
- › Gray color standard
- › Custom options available



STAINLESS STEEL

Junction Boxes

AWI offers a wide range of Stainless Steel Junction Boxes for our food and beverage industry customers. J-Boxes, as they are also referred to, are used to contain the splice or wiring connection of two or more cables or wires.

Quality and Construction

- › UL Listed
- › NEMA Rated
- › Stainless Steel Construction
- › ISO 9001:2015 Certified Manufacturing



STAINLESS STEEL

N1-Series Junction Boxes

Our NEMA 1 Series Junction Boxes are UL Listed and NEMA rated for dust proof use.

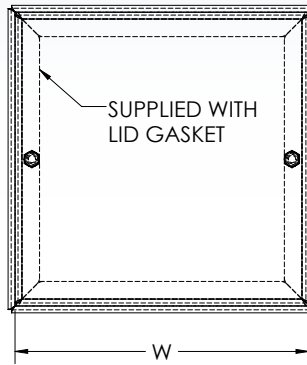
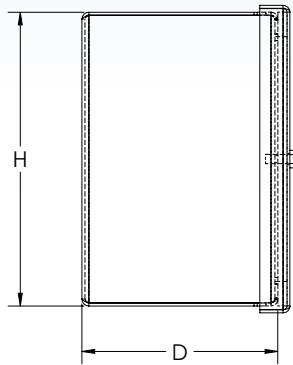
Quality and Construction

- › NEMA 1 Rated
- › UL Listed
- › Bolt-on Cover and Gasket
- › Stainless Steel Construction
- › Made in the USA

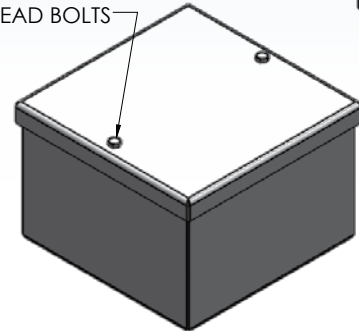


N1-Series Junction Boxes

SPEC SHEET



#10-24 X .50 SS
HEX HEAD BOLTS



16 GA 304 Stainless Steel

Part Number	Height (H)	Width (W)	Depth (D)	Bolts
N1-443	4	4	3	2
N1-444	4	4	4	2
N1-664	6	6	4	2
N1-666	6	6	6	2
N1-884	8	8	4	4
N1-885	8	8	5	4
N1-886	8	8	6	4
N1-888	8	8	8	4
N1-1086	10	8	6	4
N1-10106	10	10	6	4
N1-10108	10	10	8	4
N1-12106	12	10	6	4
N1-12108	12	10	8	4
N1-12126	12	12	6	4
N1-12128	12	12	8	4

Contact AWI for other custom options.

Phone 320.485.2471 | Address PO Box 909, 3902 230th Street, Winsted, Minnesota 55395 | Email customerservice@awimfg.com

STAINLESS STEEL

N4-H Series Junction Boxes

The AWI N4 Series junction boxes are NEMA 4X rated for use in wash down areas of your facility.

Quality and Construction

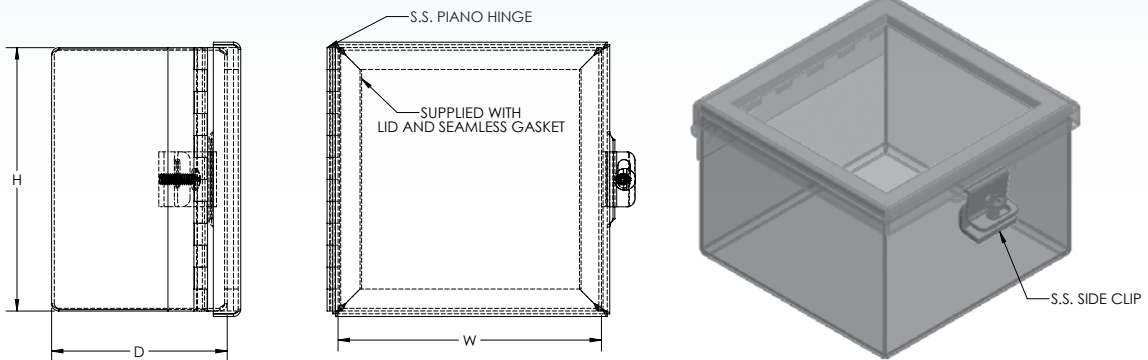
- › NEMA 4X Rating
- › UL Listed
- › Piano Hinge or Side Clip
- › Stainless Steel Construction



N4-H Series Junction Boxes

SPEC SHEET

with Piano Hinge



16 GA 304 Stainless Steel

Part Number	Height (H)	Width (W)	Depth (D)	Side Clips
N4-443	4	4	3	1
N4-444	4	4	4	1
N4-664	6	6	4	1
N4-666	6	6	6	1
N4-885	8	8	5	1
N4-886	8	8	6	1
N4-888	8	8	8	1
N4-10106	10	10	6	2
N4-10108	10	10	8	2
N4-12106	12	10	6	2
N4-12108	12	10	8	2
N4-12126	12	12	6	2
N4-12128	12	12	8	2

Contact AWI for other custom options.

Phone 320.485.2471 | Address PO Box 909, 3902 230th Street, Winsted, Minnesota 55395 | Email customerservice@awimfg.com

STAINLESS STEEL

N4-L Series Junction Boxes

The AWI N4-L Series junction boxes are NEMA 4X rated for use in wash down areas of your facility. They come standard with quarter turn latches and no hinge.

Quality and Construction

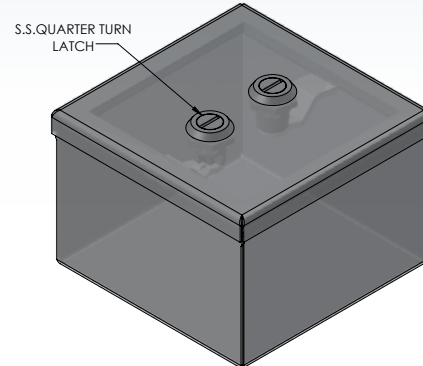
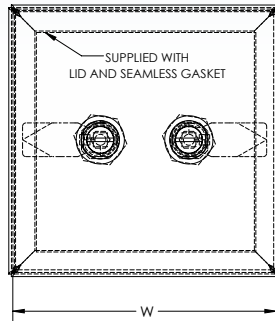
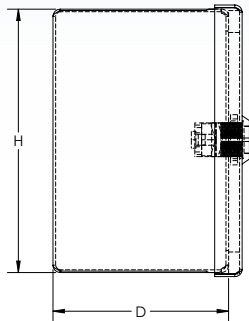
- › NEMA 4X Rating
- › UL Listed
- › Quarter Turn Latches
- › Stainless Steel Construction



N4-L Series Junction Boxes

SPEC SHEET

with 1/4 Turn Latches



16 GA 304 Stainless Steel

Part Number	Height (H)	Width (W)	Depth (D)	1/4 Turn Latches
N4-443N-2LC-FG	4	4	3	2
N4-444N-2LC-FG	4	4	4	2
N4-664N-2LC-FG	6	6	4	2
N4-666N-2LC-FG	6	6	6	2
N4-885N-2LC-FG	8	8	5	2
N4-886N-2LC-FG	8	8	6	2
N4-888N-2LC-FG	8	8	8	2
N4-10106N-4L-FG	10	10	6	4
N4-10108N-4L-FG	10	10	8	4
N4-12126N-4L-FG	12	12	6	4
N4-12128N-4L-FG	12	12	8	4

Contact AWI for other custom options.

Phone 320.485.2471 | Address PO Box 909, 3902 230th Street, Winsted, Minnesota 55395 | Email customerservice@awimfg.com

Frequently Asked Questions

What does NEMA Stand for?

NEMA (National Electrical Manufacturers Association) is the largest trade organization of electrical equipment manufacturers in the United States. They devised a rating system for enclosures and other equipment that is exposed to liquids, rain, ice, corrosion and contaminants such as dust. Please see our chart for the different NEMA ratings, and how they compare to each other.

Electrical Enclosure Types - Environmental Rating Standard Comparison

Referencing NEMA Standard 250

Rating	NEMA Rating Enclosure Description
1	Constructed for indoor use to provide a degree of protection to personnel against incidental contact with the enclosed equipment and to provide a level of protection against falling dirt.
2	Constructed for indoor use to provide a degree of protection to personnel against incidental contact with the enclosed equipment, to provide a level of protection against falling dirt, and to provide a degree of protection against dripping and light splashing of liquids.
3	Constructed for either indoor or outdoor use to provide a degree of protection to personnel against incidental contact with enclosed equipment, to provide a level of protection against falling dirt, rain, sleet, snow and windblown dust and that will be undamaged by the external creation of ice on the enclosure.
3R	Same as NEMA 3 but without the protection against windblown dust.
3RX	Same as NEMA 3R but adds protection against corrosion.
3S	Same as NEMA 3 but adds the provision that external mechanism remains operable when covered in ice.
3SX	Same as NEMA 3S but adds protection against corrosion.
3X	Same as NEMA 3 but adds protection against corrosion.
4	Constructed for either indoor or outdoor use to provide a degree of protection to personnel against incidental contact with the enclosed equipment, to provide a level of protection against falling dirt, rain, sleet, snow, windblown dust, splashing water, and that will be undamaged by the external creation of ice on the enclosure.
4X	Same as NEMA 4 but adds protection against corrosion.
5	Constructed for indoor or outdoor use to provide a degree of protection from dust, provided by gaskets.
6	Constructed for indoor or outdoor use to provide a degree of protection against the ingress of objects, fingers, and falling dirt, hose directed water and is undamaged by ice creation. Protects against occasional temporary submersion to a limited depth.
6P	Same as NEMA 6 but adds protection of prolonged submersion to a limited depth and adds corrosion protection.
12	Constructed (without knockouts) for indoor use to provide a degree of protection to personnel against incidental contact with the enclosed equipment; to provide a level of protection against falling dirt; against circulating dust, lint, fibers and flyings; and against dripping and light splashing of liquids.

Disclaimer: The specifications on this document are for comparative purposes only. They do not include the complete requirements or qualifications published by the agency. Official documentation may be obtained by contacting the organization.

Frequently Asked Questions

NEMA Rating Comparison Chart

Provides a level of protection against these environmental impacts:	NEMA Rating Type													
	1	2	3	3R	3RX	3S	3SX	3X	4	4X	5	6	6P	12
Incidental contact with enclosed equipment	x	x	x	x	x	x	x	x	x	x	x	x	x	x
Falling dirt	x	x	x	x	x	x	x	x	x	x	x	x	x	x
Falling liquids and light splashing		x	x	x	x	x	x	x	x	x		x	x	x
Dust, lint, fibers									x	x	x	x	x	x
Hose down and splashing water									x	x		x	x	
Occasional temporary submersion												x	x	
External creation of ice			x	x	x	x	x	x	x	x		x	x	
Remains operable when covered in ice						x	x							
Prolonged submersion to limited depth													x	
Corrosion					x		x	x		x			x	
Indoor Use	x	x	x	x	x	x	x	x	x	x	x	x	x	x
Outdoor Use			x	x	x	x	x	x	x	x	x	x	x	

Can you ship sub-panels early?

Yes, if the customer requests the sub panel to be shipped early, we can ship them early. This will allow the customer to start the wiring process before the actual enclosure is complete.

What is your standard shipping method?

Our shipping method depends on your order but most hanger and component orders go out via UPS. Common carrier and truck shipments are used when the orders are too large to ship through UPS.

Can I get expedited shipping?

We do offer expedited orders on a case-by-case basis. We understand the urgency of plant shutdowns for maintenance and our large in stock quantity allows us to get product out to you quickly.

If it is a stock item, we do offer expediting shipping options via UPS. We offer 3rd day select, 2nd day air and next day air along with next day air Saturday.

Frequently Asked Questions

What are your shipping cutoff times for stock items?

Ship Method	Days	Cut-Off Time
Ground	Monday - Thursday	2:00pm Central
	Friday	1:00pm Central
Expedited	Monday - Thursday	3:00pm Central
	Friday	2:00pm Central

What is your transit time? How long will it take to get my order?

Please see the chart below, these times are estimates. For more information, visit our shipping page at awimfg.com/shipping.

Region	Transit Time
Midwest	1-2 Days
East	3-4 Days
West	4-5 Days
South	3-4 Days



AWI MANUFACTURING

Phone

320.485.2471

Address

PO Box 909, 3902 230th Street
Winsted, Minnesota 55395

Email

customerservice@awimfg.com

awimfg.com