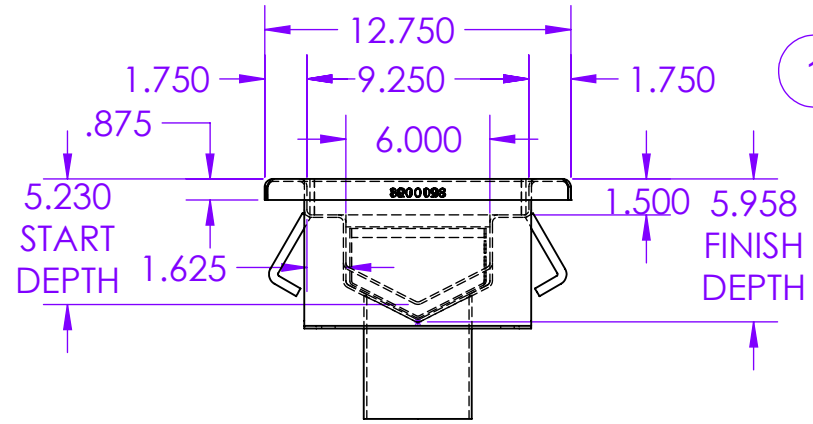
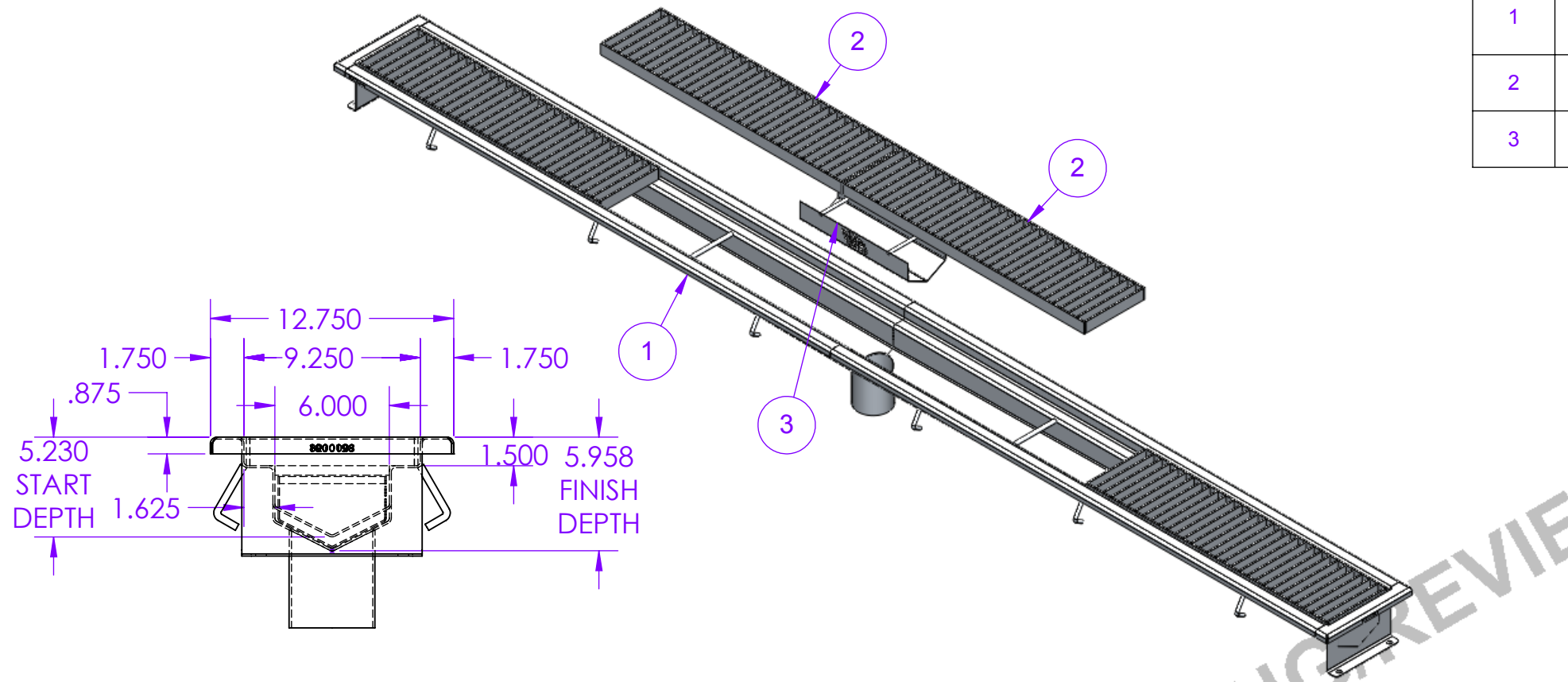
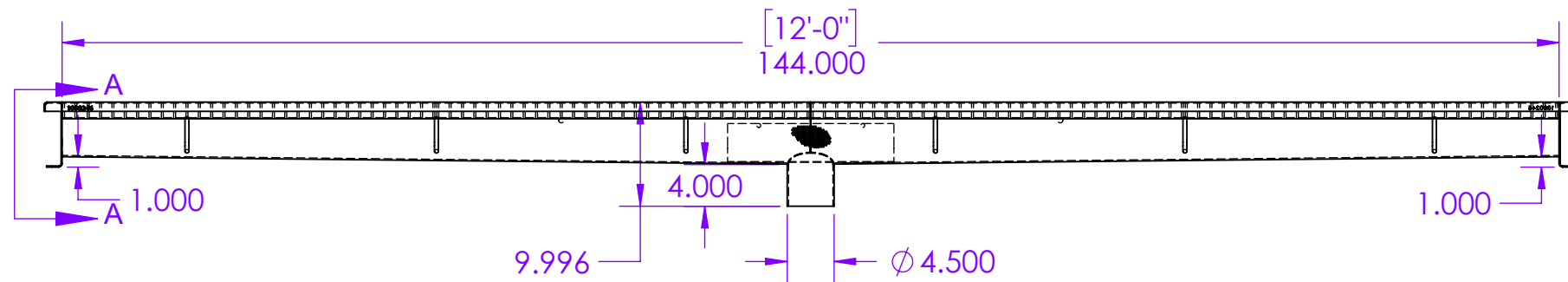
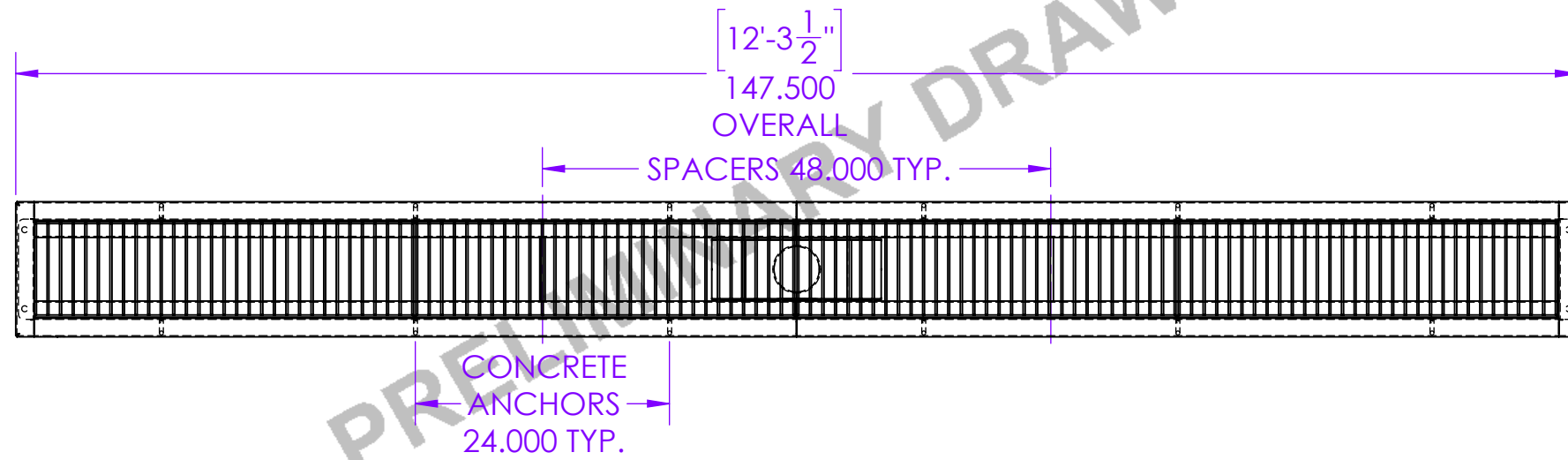


ITEM NO.	QTY. PER EACH ASSEMBLY	PART NUMBER	DESCRIPTION
1	1	1000245	12'0 WELDMENT V BOTTOM TRENCH DRAIN, 6" WIDE, 5.23" START DEPTH, 1/8" SLOPE, SLOPE TO CENTER, 4" SCH10 OUTLET OUT BOTTOM, ANCHORS, SPACERS
2	4	BARGRATE-36X9	BARGRATE T304 36"X9"
3	1	1000247	BASKET, V BOTTOM, 5.671"W X 16" LG X 3.727"D SLOPE TO CENTER



SECTION A-A
SCALE 1:8



NOTES:

CONSTRUCTION

- *TRENCH BODY 12GA T304 2B
- *4" SCH 10 T304 PIPE OUTLET (BOTTOM OUTLET)
- *T304 CEMENT ANCHORS 24" O.C. TYP.
- *T304 1/2" DIA ROD SPACERS 48" O.C. TYP.
- *1/8" PER FOOT SLOPE. (SLOPE TO CENTER)
- *ALL INTERIOR TRENCH WELDS CONTINUOUS TIG WELDED UNLESS NOTED
- *ALL EXTERIOR TRENCH WELDS CONTINUOUS MIG WELDED UNLESS NOTED
- *ALL ANCHORS MIG WELDED AROUND UNLESS NOTED
- *INSIDE WELD DISCOLORATIONS REMOVED, O.S. DISCOLORATION TO REMAIN.

GRATING

- * 3/16 X 1-1/2" T304 BAR GRATING

BASKET

- *T304 14GA 1/8 PERF
- *TIG WELDED OUTSIDE

REV.	DESCRIPTION	DATE	BY
REVISIONS			
DESCRIPTION		AWI MANUFACTURING, INC.	
12'0 V BOTTOM TRENCH DRAIN, 6" WIDE, 5.23" START DEPTH, 1/8" SLOPE, SLOPE TO CENTER, 4" SCH10 OUTLET OUT BOTTOM, ANCHORS, SPACERS, BAR GRATE		3902 - 230TH STREET P.O. BOX 909 WINSTED, MN. 55395-0909 320-485-2471 www.awimfg.com	
SIZE	DWG. NO.	ORDER QTY	
B	1000244	1	
DRAWN BY	DATE	TOLERANCE BLOCK	
JN	1/20/2017	ANGLES +/- .5	.X +/- .06
THE INFORMATION CONTAINED IN THIS DRAWING IS THE SOLE PROPERTY OF AWI MFG. ANY REPRODUCTION IN PART OR AS A WHOLE WITHOUT THE WRITTEN PERMISSION OF AWI MFG IS PROHIBITED.		HOLE DIA. +/- .015	.XX +/- .03
LOCATION		SCALE: 1:16	WEIGHT: 220.9
		SHEET 1 OF 1	

ORDER# - 411047-005