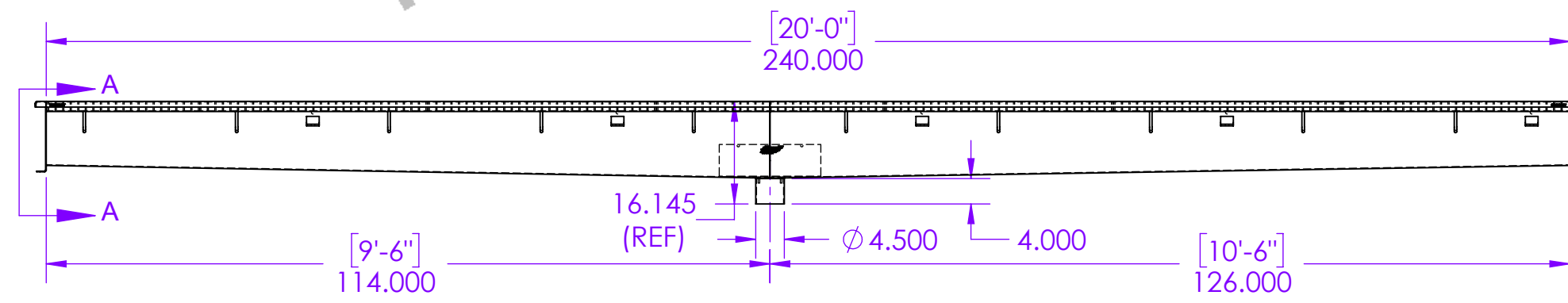
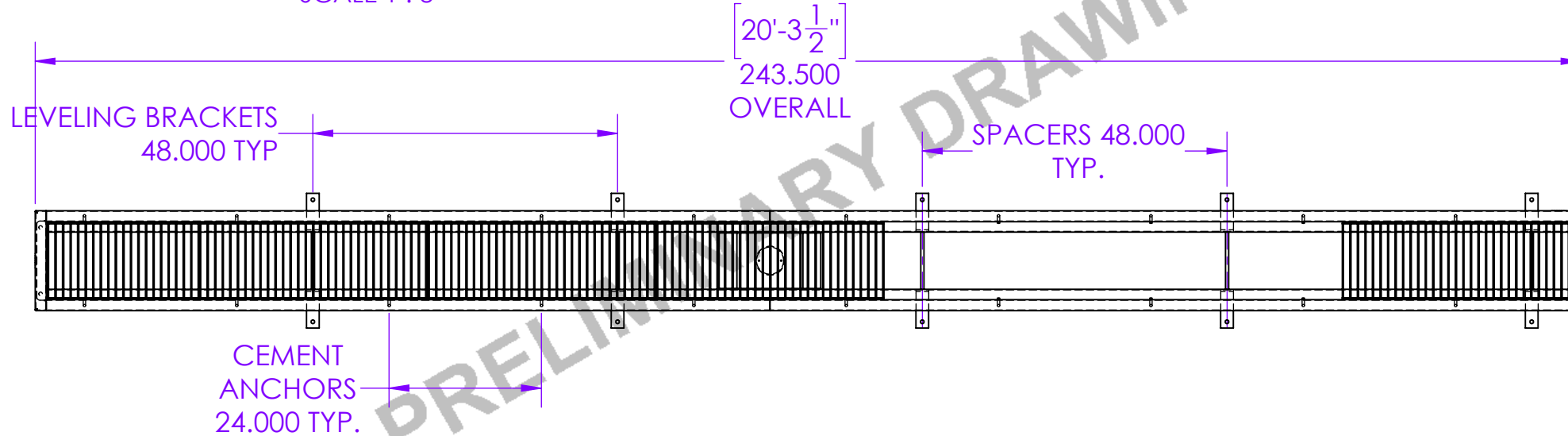
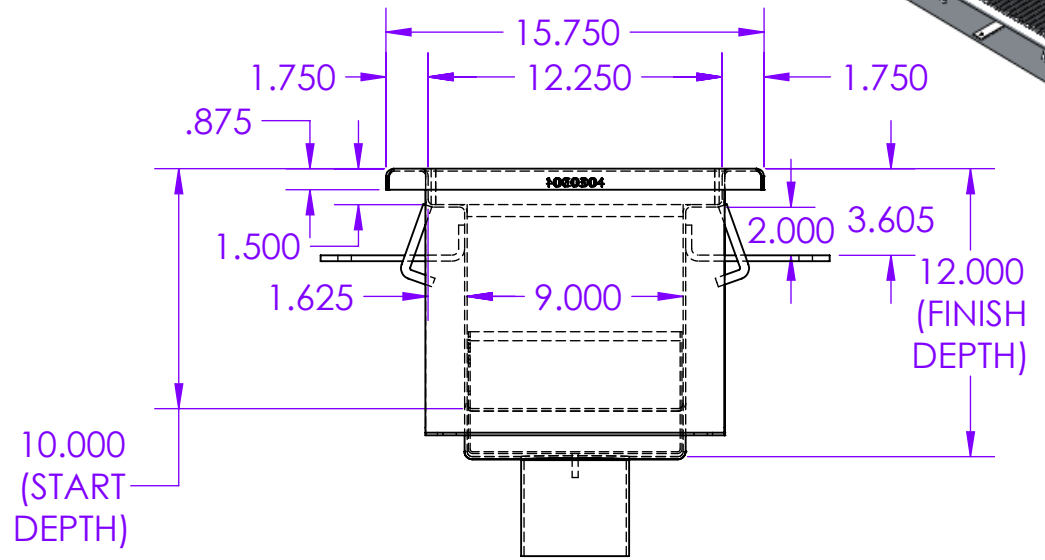
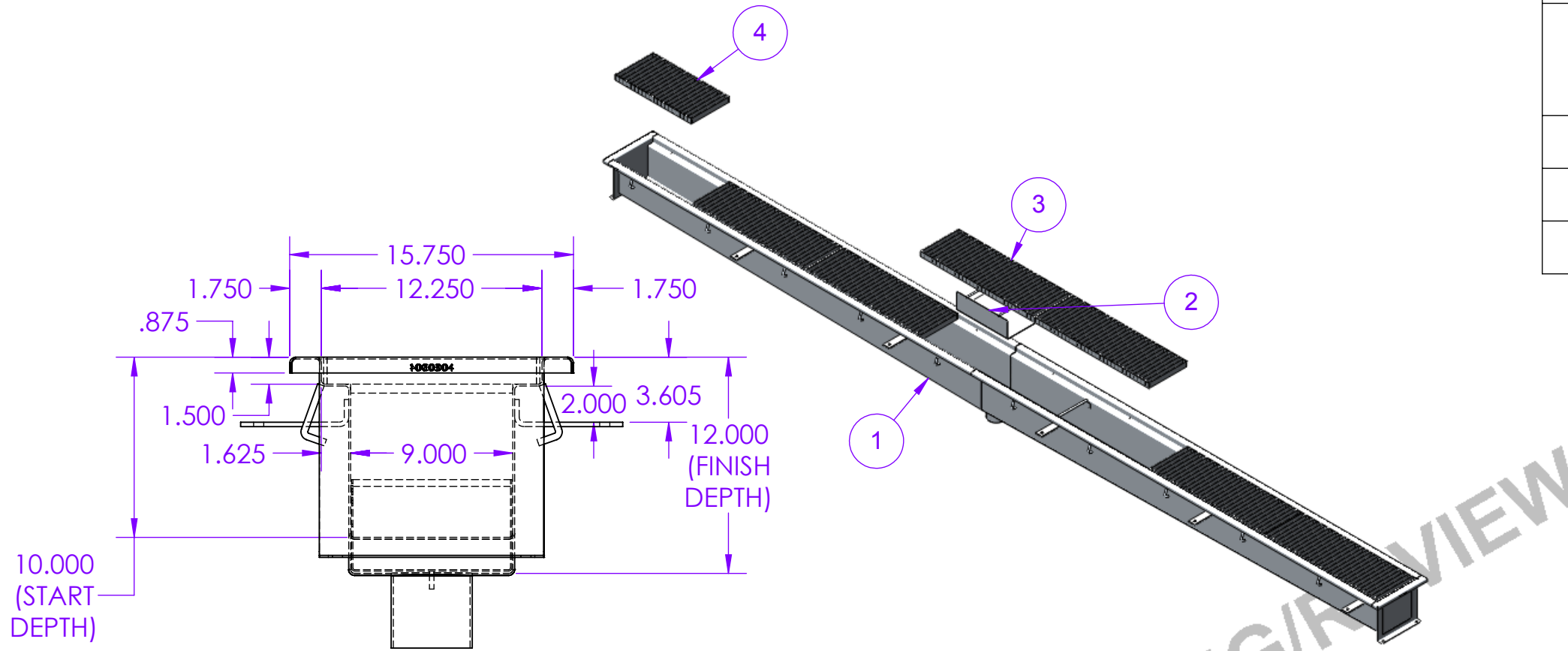


| ITEM NO. | QTY. PER EACH ASSEMBLY | PART NUMBER | DESCRIPTION |
|----------|------------------------|----------------|--|
| 1 | 1 | 1000302 | 20'0 WELDMENT FLAT BOTTOM TRENCH DRAIN, 9" WIDE, 10" START DEPTH, 12" FINISH DEPTH, SLOPE TO CENTER, 4" SCH10 OUTLET OUT BOTTOM, SPACERS, ANCHORS LEVELING BRACKETS, |
| 2 | 1 | 1000306 | BASKET, FLAT BOTTOM, 8.75"W X 16" LG X 5"D SLOPE TO CENTER |
| 3 | 6 | BARGRATE-36X12 | BARGRATE T304 36"X12" |
| 4 | 1 | BARGRATE-24X12 | BARGRATE T304 23.875"X12" |



NOTES:

CONSTRUCTION

- *TRENCH BODY 12GA T304 2B
- *4" SCH 10 T304 PIPE OUTLET (BOTTOM OUTLET)
- *T304 CEMENT ANCHORS 24" O.C. TYP.
- *T304 1/2" DIA ROD SPACERS 48" O.C. TYP.
- *T304 LEVELING BRACKETS 48" O.C. TYP.
- *10" START DEPTH (SLOPE TO CENTER)
- *12" END DEPTH
- *ALL INTERIOR TRENCH WELDS CONTINUOUS TIG WELDED UNLESS NOTED
- *ALL EXTERIOR TRENCH WELDS CONTINUOUS MIG WELDED UNLESS NOTED
- *ALL ANCHORS MIG WELDED AROUND UNLESS NOTED
- *INSIDE WELD DISCOLORATIONS REMOVED, O.S. DISCOLORATION TO REMAIN.

GRATING

- * 3/16 X 1-1/2" T304 BAR GRATING

BASKET

- *T304 14GA 1/8 PERF
- *TIG WELDED OUTSIDE

| REV. | DESCRIPTION | DATE | BY |
|--|----------------|--|-----------------------------|
| REVISIONS | | | |
| DESCRIPTION | | AWI MANUFACTURING, INC. | |
| 20'0 FLAT BOTTOM TRENCH DRAIN, 9" WIDE, 10" START DEPTH, 12" FINISH DEPTH, SLOPE TO CENTER, 4" SCH10 OUTLET OUT BOTTOM, SPACERS, ANCHORS LEVELING BRACKETS, BAR GRATE | | 3902 - 230TH STREET P.O. BOX 909 WINSTED, MN. 55395-0909 320-485-2471 www.awimfg.com | |
| SIZE | DWG. NO. | ORDER QTY | |
| B | 1000301 | 2 | |
| DRAWN BY | DATE | TOLERANCE BLOCK | |
| JN | 2/16/2017 | ANGLES +/- .5 HOLE DIA. +/- .015 | |
| THE INFORMATION CONTAINED IN THIS DRAWING IS THE SOLE PROPERTY OF AWI MFG. ANY REPRODUCTION IN PART OR AS A WHOLE WITHOUT THE WRITTEN PERMISSION OF AWI MFG IS PROHIBITED. | | .X +/- .06 .XX +/- .03 | |
| LOCATION | | SCALE: 1:24 | WEIGHT: 548.72 SHEET 1 OF 1 |

ORDER# - 411891-001