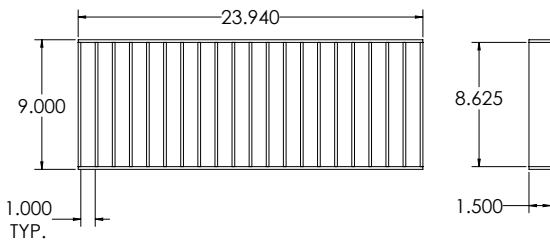
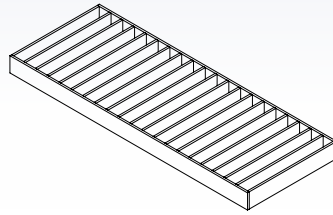


Trench Covers

SPEC SHEET

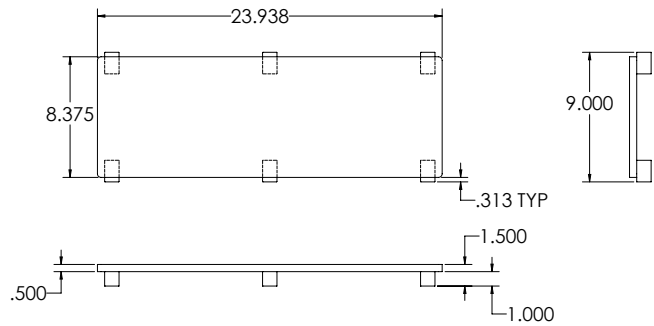
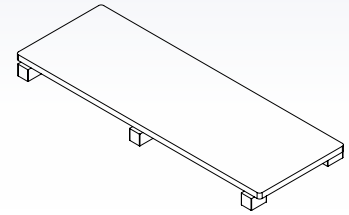
Bar Grate

- > Forklift Rated
- > 3/16" X 1-1/2" Construction



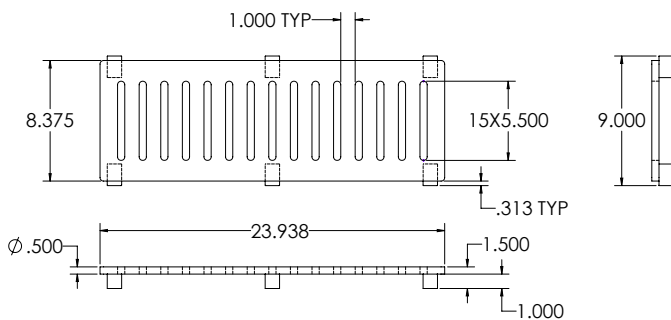
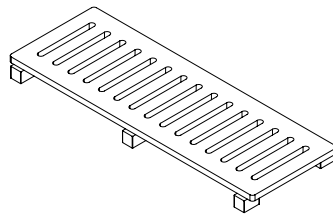
Solid

- > Forklift Rated
- > 1/2" Thick Construction



Slotted

- > Forklift Rated
- > 1/2" Thick Construction



Installing a quality trench drain is very important, but the cover you use on drains is equally important. Our strict quality standards ensure you'll receive a stainless steel cover that can withstand high use.

- > USDA Approved
- > Made in the USA
- > ISO Certified



Contact AWI Manufacturing for other custom options.

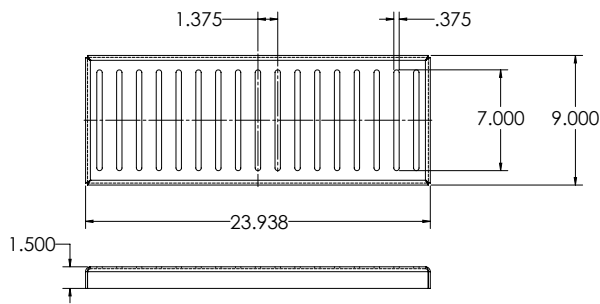
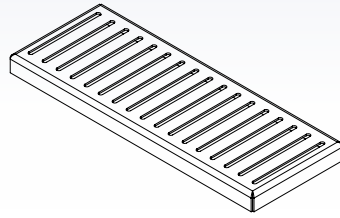
Winsted, Minnesota | Phone 320.485.2471 | Email customerservice@awimfg.com | awimfg.com

Trench Covers

SPEC SHEET

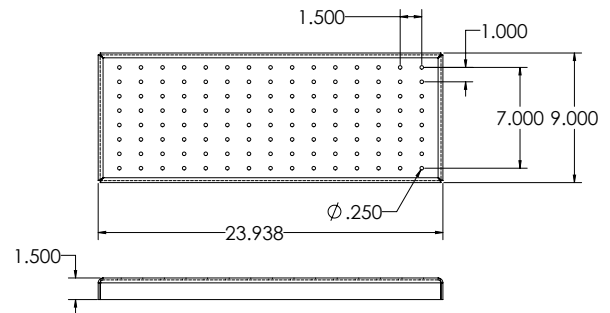
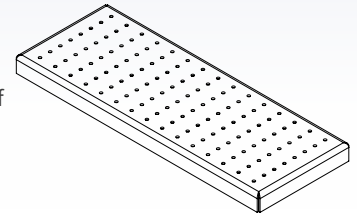
Formed Slotted

- > Pedestrian Rated
- > 10 Ga Construction



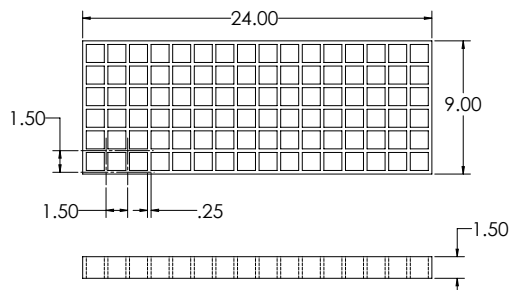
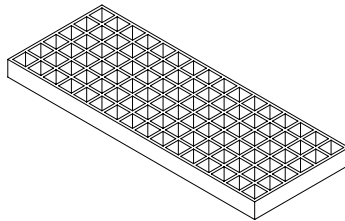
Perforated

- > Pedestrian Rated
- > ADA Compliant / Heel Proof
- > 10 Ga Construction



Chem Grate

- > Pedestrian Rated
- > Fiberglass Construction



A wide selection of stainless steel drain grates/trench covers ensure that you will have the correct grate for your drain application. Trust AWI to provide quality solutions.

- > Multiple cover styles offered
- > Custom designs available
- > Most styles in stock



Contact AWI Manufacturing for other custom options.

Winsted, Minnesota | Phone 320.485.2471 | Email customerservice@awimfg.com | awimfg.com