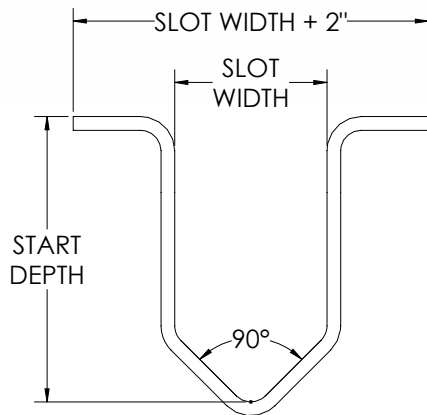
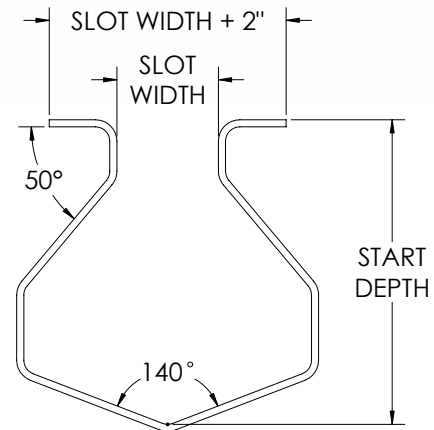


Straight



Tear Drop

**Slot Length:**

_____ Feet

Slot Width:

- 1.5" (Standard)
- Other _____

Slot Profile:

- Straight
- Tear Drop

Material Thickness:

- 12 GA (Standard)
- 10 GA

Material Type:

- 304 S.S. (Standard)
- 316 S.S.

Slope/Ft:

- 1/8" (Standard)
- Other _____

Sump Basin:

- Center
- End

Outlet Size:

- 3"
- 4" (Standard)
- 6"
- Other

Outlet Schedule:

- Sch. 10
- Sch. 40

Leveling Brackets:

- Yes
- No

Slot Drains may be sent in multiple sections depending on overall length.



Contact AWI Manufacturing for other custom options.

Winsted, Minnesota | Phone 320.485.2471 | Email customerservice@awimfg.com | awimfg.com