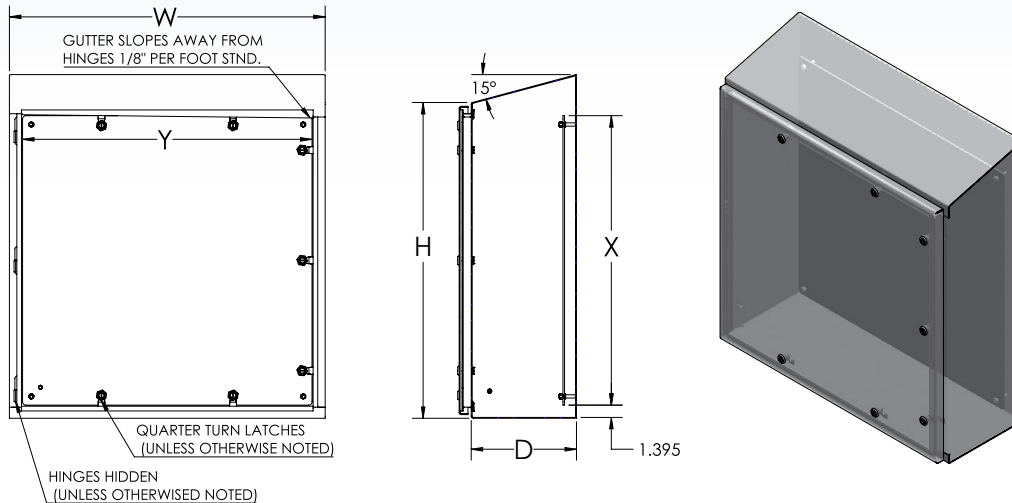


S-Series Sloped Top Enclosure

SPEC SHEET



14 GA 304 Stainless Steel

Part Number	Height (H)	Width (W)	Depth (D)	Sub Panel Height (X)	Sub Panel Width (Y)
ENSS-161608	16	16	8	13	13
ENSS-162008	16	20	8	13	17
ENSS-162408	16	24	8	13	21
ENSS-161612	16	16	12	13	13
ENSS-162012	16	20	12	13	17
ENSS-162412	16	24	12	13	21
ENSS-201608	20	16	8	17	13
ENSS-202008	20	20	8	17	17
ENSS-202408	20	24	8	17	21
ENSS-201612	20	16	12	17	13
ENSS-202012	20	20	12	17	17
ENSS-202412	20	24	12	17	21

See page 2 for 12 GA 304 Stainless Steel



Contact AWI Manufacturing for other custom options.

Winsted, Minnesota | Phone 320.485.2471 | Email customerservice@awimfg.com | awimfg.com

S-Series Sloped Top Enclosure

SPEC SHEET

12 GA 304 Stainless Steel

Part Number	Height (H)	Width (W)	Depth (D)	Sub Panel Height (X)	Sub Panel Width (Y)
ENSS-242008	24	20	8	21	17
ENSS-242408	24	24	8	21	21
ENSS-242012	24	20	12	21	17
ENSS-242412	24	24	12	21	21
ENSS-302412	30	24	12	27	21
ENSS-302012	30	20	12	27	17
ENSS-303012	30	30	12	27	27
ENSS-302416	30	24	16	27	21
ENSS-302016	30	20	16	27	17
ENSS-303016	30	30	16	27	27
ENSS-362412	36	24	12	33	21
ENSS-363012	36	30	12	33	27
ENSS-363612	36	36	12	33	33
ENSS-362416	36	24	16	33	21
ENSS-363016	36	30	16	33	27
ENSS-363616	36	36	16	33	33
ENSS-482412	48	24	12	45	21
ENSS-483012	48	30	12	45	27
ENSS-483612	48	36	12	45	33
ENSS-484812	48	48	12	45	45
ENSS-482416	48	24	16	45	21
ENSS-483016	48	30	16	45	27
ENSS-483616	48	36	16	45	33
ENSS-484816	48	48	16	45	45
ENSS-603612	60	36	12	57	33
ENSS-604812	60	48	12	57	45
ENSS-606012	60	60	12	57	57
ENSS-603616	60	36	16	57	33
ENSS-604816	60	48	16	57	45
ENSS-606016	60	60	16	57	57
ENSS-723612	72	36	12	69	33
ENSS-724812	72	48	12	69	45
ENSS-726012	72	60	12	69	57
ENSS-723616	72	36	16	69	33
ENSS-724816	72	48	16	69	45
ENSS-726016	72	60	16	69	57



Contact AWI Manufacturing for other custom options.

Winsted, Minnesota | Phone 320.485.2471 | Email customerservice@awimfg.com | awimfg.com