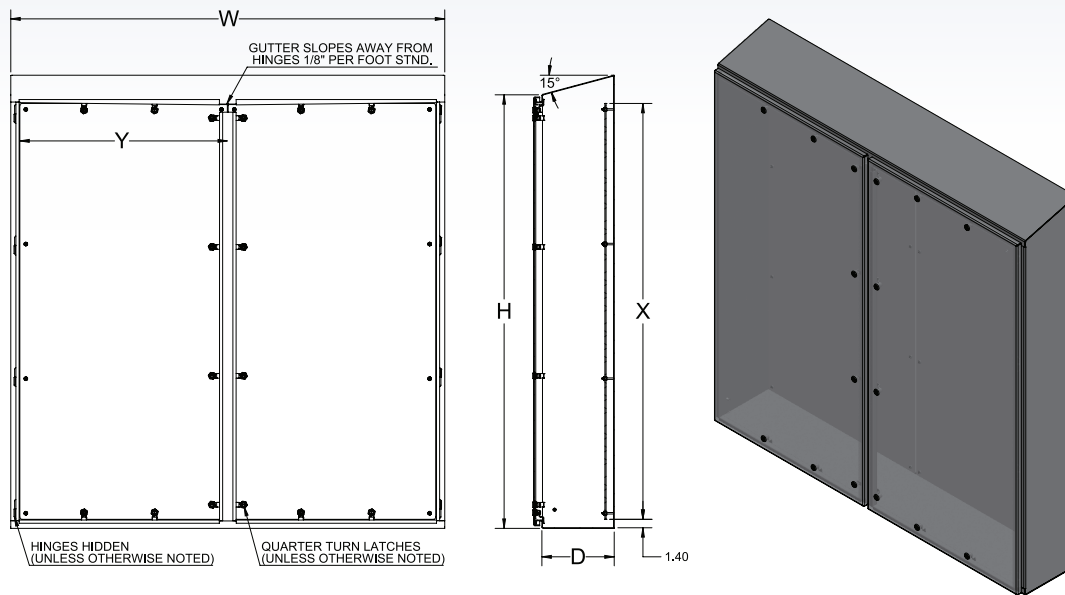


S-Series Double Door Enclosure

SPEC SHEET



12 GA 304 Stainless Steel

Part Number	Height (H)	Width (W)	Depth (D)	Height (X)	Width (Y)	Sub Qty
ENSD-604812	60	48	12	57	22.438	2
ENSD-606012	60	60	12	57	28.438	2
ENSD-607212	60	72	12	57	34.438	2
ENSD-604816	60	48	16	57	22.438	2
ENSD-606016	60	60	16	57	28.438	2
ENSD-607216	60	72	16	57	34.438	2
ENSD-724812	72	48	12	69	22.438	2
ENSD-726012	72	60	12	69	28.438	2
ENSD-727212	72	72	12	69	34.438	2
ENSD-724816	72	48	16	69	22.438	2
ENSD-726016	72	60	16	69	28.438	2
ENSD-727216	72	72	16	69	34.438	2



Contact AWI Manufacturing for other custom options.

Winsted, Minnesota | Phone 320.485.2471 | Email customerservice@awimfg.com | awimfg.com