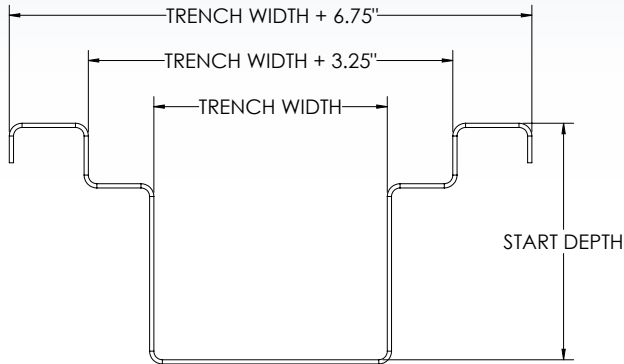


TDF Series Trench Drains

SPEC SHEET



Trench Length:

_____ Feet

Trench Width:

- 6" (Standard)
- 9" (Standard)
- Other _____

Start Depth:

- 3" (Standard)
- Other _____

Material Thickness:

- 12 GA (Standard)
- 10 GA

Material Type:

- 304 S.S. (Standard)
- 316 S.S.

Slope/Ft:

- 1/8" (Standard)
- 1/4"
- Other _____

Outlet Size:

- 3"
- 4" (Standard)
- 6"
- Other _____

Outlet Schedule:

- Sch. 10
- Sch. 40

Outlet Location:

- Center
- End

Outlet Strainer:

- Yes
- No

Sump Basin:

- No (Outlet Only)
- 12" Long
- 24" Long
- Other _____

Cover Options (Forklift Rated):

- Bar Grate
- Solid Plate (w/perimeter drainage)

Cover Options (Non-Forklift Rated):

- 10 GA Perforated Grate
- 10 GA Slotted Grate
- Chem Grate

Leveling Brackets:

- Standard

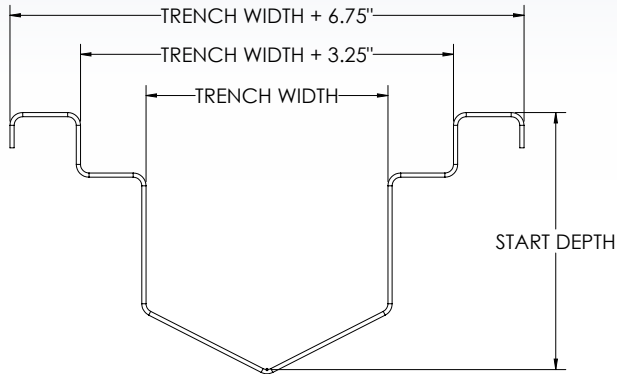


Contact AWI Manufacturing for other custom options.

Winsted, Minnesota | Phone 320.485.2471 | Email customerservice@awimfg.com | awimfg.com

TDV Series Trench Drains

SPEC SHEET



Trench Length:

_____ Feet

Trench Width:

- 6" (Standard)
- 9" (Standard)
- Other _____

Start Depth:

- 5" (Standard)
- Other _____

Material Thickness:

- 12 GA (Standard)
- 10 GA

Material Type:

- 304 S.S. (Standard)
- 316 S.S.

Slope/Ft:

- 1/8" (Standard)
- 1/4"
- Other _____

Outlet Size:

- 3"
- 4" (Standard)
- 6"
- Other _____

Outlet Schedule:

- Sch. 10
- Sch. 40

Outlet Location:

- Center
- End

Outlet Strainer:

- Yes
- No

Sump Basin:

- No (Outlet Only)
- 12" Long
- 24" Long
- Other _____

Cover Options (Forklift Rated):

- Bar Grate
- Solid Plate (w/perimeter drainage)

Cover Options (Non-Forklift Rated):

- 10 GA Perforated Grate
- 10 GA Slotted Grate
- Chem Grate

Leveling Brackets:

- Standard



Contact AWI Manufacturing for other custom options.

Winsted, Minnesota | Phone 320.485.2471 | Email customerservice@awimfg.com | awimfg.com